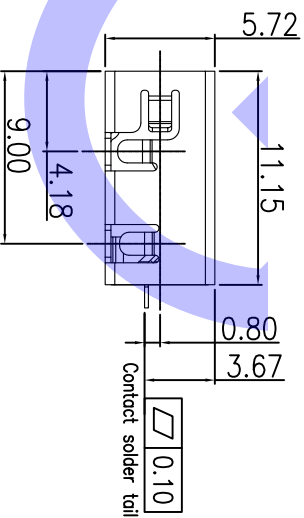
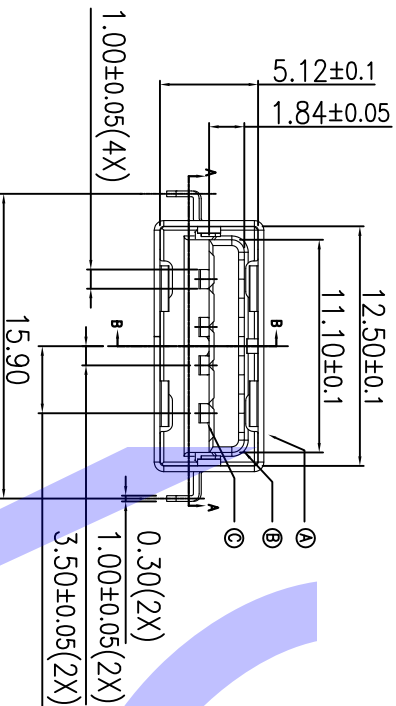


PART NUMBER : JCN-31AG



Contact solder tail
0.10

CHECKED Steve	APPROVED Morvin	UNLESS OTHERWISE SPECIFIED TOLERANCE		NAME	USB3.1 Gen1 A.1 Row SMT/Offset 0.8mm, 4 Dip Shell/Receptacle		PART NO.	JCN-31AG	HF RoHS THIS IS A ROHS COMPLIANT COMPONENT PRODUCT.	維將科技股份有限公司 V-GENERAL TECHNOLOGY
		Dimension Range	Tolerance	SCALE	UNIT	Material/Plating/Notes	JCN-31AG			
REV. A		X.XX	±0.35	NA	mm	① SHIELD : STAINLESS STEEL/NICKEL PLATING ② HOUSING : HIGH TEMPERATURE PLASTIC	DOC. NO.	JCN-31AG		
		X.XXX	±0.25	SIZE		③ CONTACTS : COPPER ALLOY/NICKEL UNDERPLATED OVERALL LEAD FREE TIN ALLOY AT TERMINATION.				
		X.XXX	±0.15	A4	1/2					
			±5°							

MARK	NEW DESIGN	DRAWN	MIDDYY
	REVISION RECORD	DRAWN	041720