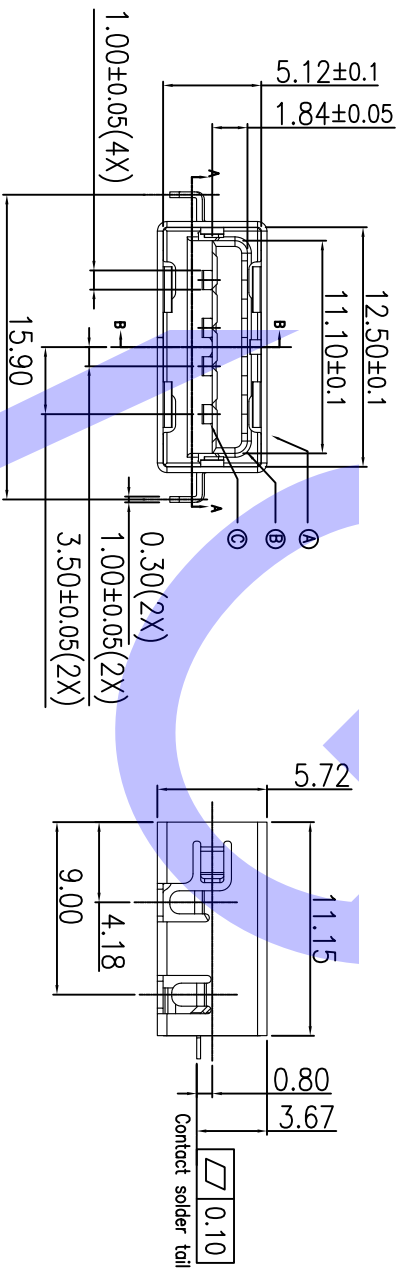


PART NUMBER : JCN-31A1



0.10  
Contact solder tail

CHECKED		UNLESS OTHERWISE SPECIFIED TOLERANCE		NAME		PART NO.		HF		THIS IS A ROHS COMPLIANT COMPONENT PRODUCT	
Steve		Dimensional Tolerance		US93.2 can2 A.1 Row SMT/Offset 0.8mm, 4 Dip Shell/Receptacle		JCN-31A1		Rohs		V-GENERAL TECHNOLOGY	
APPROVED		X.XX ±0.35		SCALE		UNIT		Material/Plating/Notes		V-GENERAL TECHNOLOGY	
Morvin		X.XX ±0.25		NA		mm		①SHIELD : STAINLESS STEEL/NICKEL PLATING		JCN-31A1	
REV.		X.XX ±0.15		SIZE		SHEET		②HOUSING : HIGH TEMPERATURE PLASTIC		DOC. NO.	
A		5.0°		A4		1/2		③CONTACTS : COPPER ALLOY/NICKEL UNDERPLATED OVERALL LEAD FREE TIN ALLOY AT TERMINATION.		JCN-31A1	
ANGLE		5.0°									

△X0	NEW DESIGN	DRAWN	MMDYY'
MARK	REVISION RECORD	DRAWN	041720