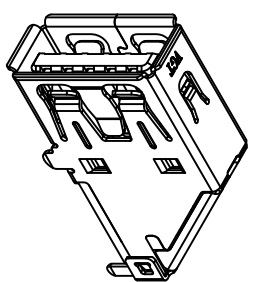


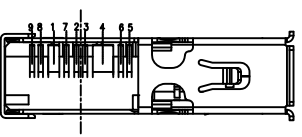
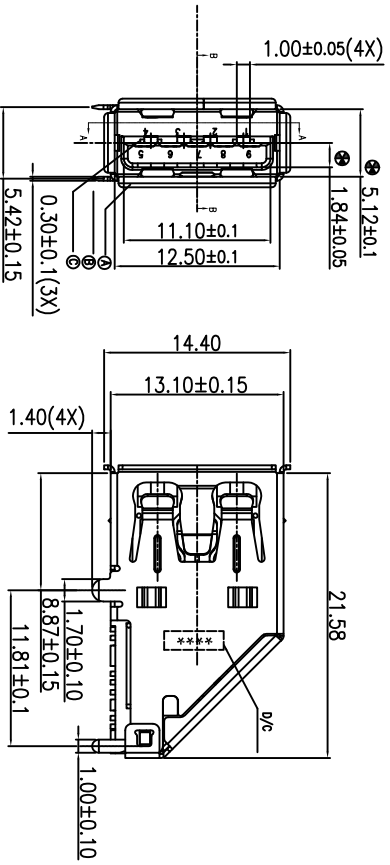
Section A-A



ASSEMBLY DIMENTION

PART NUMBER : JCN-31A1-AUAB-XXX1

Plastic Color: _____
 A=Blue
 B=Black
 F=White
 Gold plating:
 G=Gold (100u)
 A=50"
 B=100"
 C=150"
 D=150"
 E=300"
 Package:
 R=Reel
 T=Tray
 U=Tube

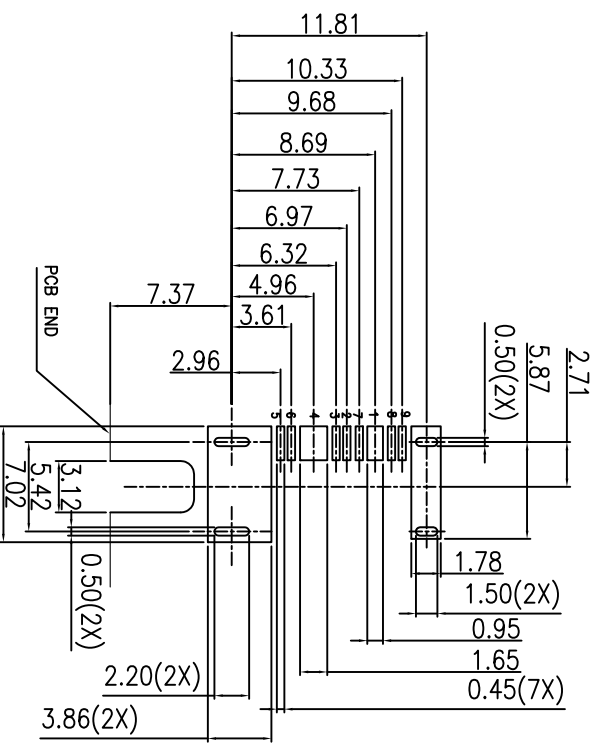


Section B-B

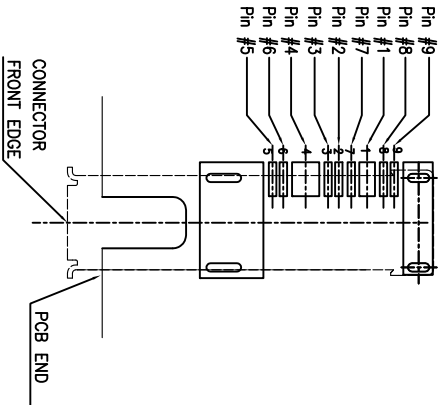
- NOTES:
- ELECTRICAL CHARACTERISTICS:
 - 1-1 CONTACT CURRENT RATING: 1.8A FOR VBUS PIN AND ITS CORRESPONDING GND PIN, 0.25A MIN FOR ALL OTHER CONTACTS.
 - 1-2 CONTACT RESISTANCE: INITIAL 30 MILLIOHMS MAX FOR VBUS AND GND CONTACT, INITIAL 50 MILLIOHMS MAX FOR ALL OTHER CONTACT, AFTER DURABILITY 10 MILLIOHMS MAX CHANGE.
 - 1-3 DIELECTRIC WITH STANDING: 100 V AC
 - MECHANICAL CHARACTERISTICS:
 - 2-1 CONNECTOR MATING FORCE: 35N MAX
 - 2-2 CONNECTOR UNMATING FORCE: 10N MIN INITIAL, 8N MIN AFTER DURABILITY.
 - 2-3 DURABILITY: 5000 CYCLES.
 - 2-4 OPERATING TEMPERATURE RANGE: -20°C TO +85°C
 - DIMENSIONS ARE IN MILLIMETERS, BRACKETED DIMENSIONS ARE INCHES EQUIVALENTS.
 - RECOMMENDED PROCESS: IR REFLOW PEAK TEMPERATURE 260°C
 - THE CONNECTOR IS ROHS COMPLIANT AND HALOGEN FREE.
 - WHEN PLUG IS INSERTED INTO CONNECTOR IN WORSE CONDITION, SPRING TIP TOUCH PCB, SO INHIBIT CIRCUIT IN SPRING TIP AREA.

CHECKED Steve		UNLESS OTHERWISE SPECIFIED TOLERANCE		NAME US83 Gen2 A.1 Row SMT, Aust. Dip Shell, Receptacle (SMT)		SCALE NA		UNIT mm		SHEET 1/3		PART NO. JCN-31A1-AUAB-XXX1		HF ROHS		V-GENERAL TECHNOLOGY 維將科技股份有限公司	
APPROVED Mgrvin		Dimensional Range / Tolerance		Material / Part / Design		SIZE		Material		① CONTACTS : COPPER ALLOY/NICKEL UNDERPLATED OVERLEAD FREE TIN ALLOY AT TERMINATION.		DOC. NO. JCN-31A1-AUAB-XXX1		THIS IS A ROHS COMPLIANT COMPONENT PRODUCT			
REV. X0		XX		XX		40.35		XX		40.25							
MARK		REVISION RECORD		DRAWN		MIDDYV		111921		ANGLE 45°							
1		NEW DESIGN		DRAWN		MIDDYV		111921		4						5 Design drawing	

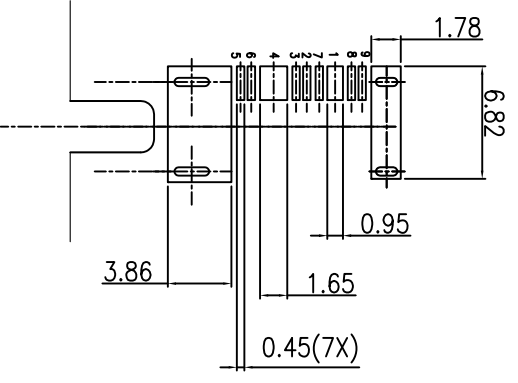
PIN ASSIGNMENT		
Pin Number	Signal Name	Description
1	VBUS	POWER
2	D-	USB2.0 differential pair
3	D+	
4	GND	Ground for Power Return
5	SS RX-	Superspeed receiver differential pair
6	SS RX+	
7	GND DRAIN	Ground for Power Return
8	SS TX-	Superspeed transmitter differential pair
9	SS TX+	



PCB Foot Printer Dimension
TOP VIEW Tolerance: $\pm 0.01\text{mm}$

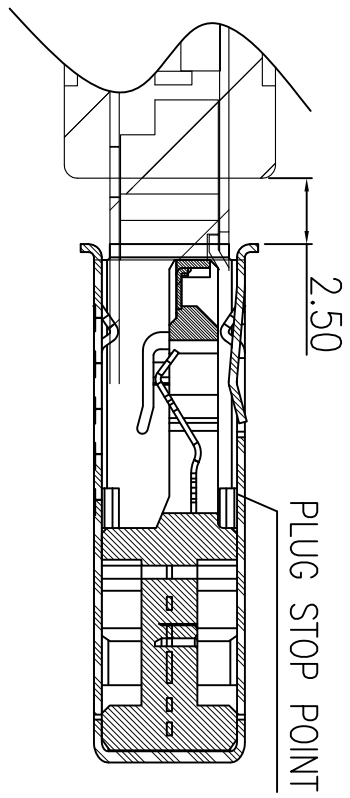
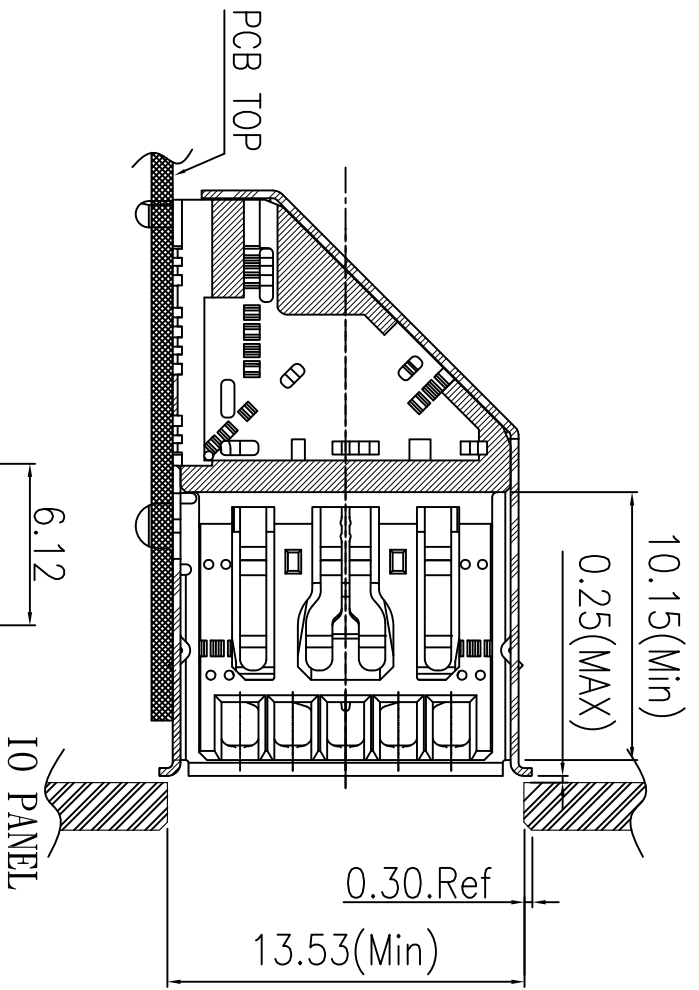


Connector Pin Define
Sequence

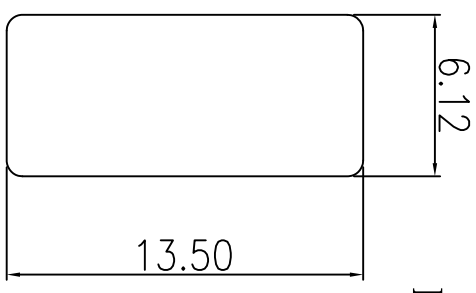


SMT Stencil Aperture Dimension
TOP VIEW Tolerance: $\pm 0.01\text{mm}$

CHECKED		UNLESS OTHERWISE SPECIFIED TOLERANCE		NAME		US93 Gen2 A.1 Row SMT, Dip Shell/Receptacle	
Steve		Dimensional Tolerance		SCALE		Material/Plating/Finishes	
APPROVED		Margin		UNIT		① SHIELD : STAINLESS STEEL/NICKEL PLATING	
REV. X0		X.XX		mm		② HOUSING : HIGH TEMPERATURE PLASTIC	
NEW DESIGN		X.XXX		SIZE		③ CONTACTS : COPPER ALLOY/NICKEL	
REVISION RECORD		X.XXX		A4		④ UNDERPLATED OVERLEAD FREE TIN	
DRAWN		ANGLE		SHEET		ALLOY AT TERMINATION.	
MIDDYV		±0.35		2/3		PART NO.	
DRAWN		±0.25		JCN-31A1-AUAB-XXX1		DOC. NO.	
111921		±0.15		JCN-31A1-AUAB-XXX1		THIS IS A ROHS COMPLIANT COMPONENT PRODUCT.	
1		±5°		HF		ROHS	
2				V-GENERAL		TECHNOLOGY	
3				維濤科技股份有限公司			
4				Design drawing			
5							



Panel Cut out



E		D		C		B		A	
MARK		REVISION RECORD		DRAWN		MIDDYV		11921	
X0		NEW DESIGN		DRAWN		MIDDYV		11921	
X0		REVISION RECORD		DRAWN		MIDDYV		11921	
1		2		3		4		5	
E		D		C		B		A	

CHECKED		UNLESS OTHERWISE SPECIFIED TOLERANCE		NAME		US83 Gen2 A.1 Row SMT, Dip Shell/Receptacle (Gen2)		PART NO.	
Steve				SCALE		N/A		JCN-31A1-AUAB-XXX1	
APPROVED		Dimensional Tolerance		UNIT		mm		DOC. NO.	
MGRVH		XX		SIZE		A4		JCN-31A1-AUAB-XXX1	
REV.		XX		SHEET		3/3		THIS IS A ROHS COMPLIANT COMPONENT PRODUCT.	
X0		XX		ANGLE		45°		 維將科技股份有限公司	