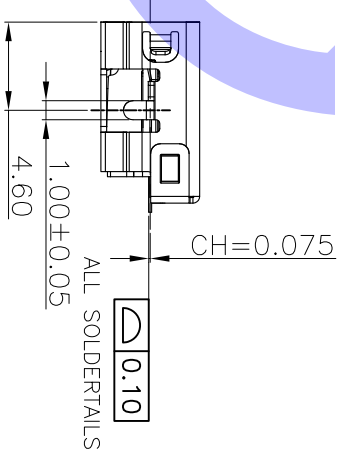
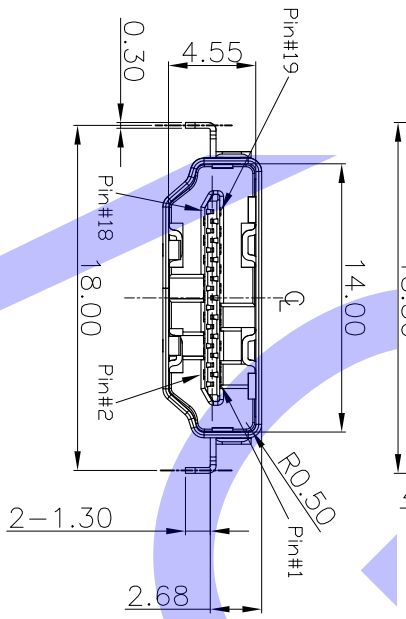
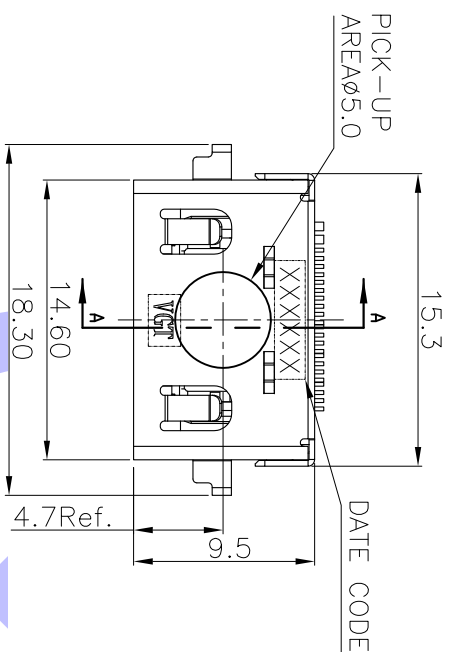


PART NUMBER : JCN-H3AG



ALL SOLDER TAILS

MARK	NEW DESIGN	LEON	040620
	REVISION RECORD	DRAWN	MDDY'
	1		

CHECKED	Steve	UNLESS OTHERWISE SPECIFIED TOLERANCE	NAME	HOMI A 2.1.1 Row SMT Offset 0.075mm Dip Shell Receptacle
APPROVED	Marvin	Dimension Range Tolerance	SCALE	UNIT
REV.	X1	X.XX	NA	mm
		X.XXX	@SHIELD :	STAINLESS STEEL/NICKEL PLATING
		X.XXX	@HOUSING :	HIGH TEMPERATURE PLASTIC
		ANGLE	SIZE	SHEET
			A4	1/2
			CONTACTS : COPPER ALLOY/NICKEL TIN UNDERPLATED OVERALL LEAD FREE FREE TIN ALLOY AT TERMINATION.	

PART NO.	JCN-H3AG
DOC. NO.	JCN-H3AG

HF
RoHS
THIS IS A ROHS COMPLIANT COMPONENT PRODUCT.

