

PART NUMBER : JCN-U4CG-UGAR-XXX1

Plastic Color: _____
 A=Blue
 B=Black
 Gold Plating: _____
 G=Gold
 I=Gold Flash
 A=30"
 B=60"
 C=100"
 D=150"
 F=300"
 Package: _____
 R=Taping Reel
 T=Tary
 I=Tube

NOTES:

- ELECTRICAL CHARACTERISTICS:
 - 1-1 CONTACT CURRENT RATING: 1.25A FOR VBUS PIN AND ITS CORRESPONDING GND PIN, 0.25A MIN FOR ALL OTHER CONTACTS.
 - 1-2 CONTACT RESISTANCE: INITIAL 30 MILLIOHMS MAX FOR VBUS AND GND CONTACT, INITIAL 40 MILLIOHMS MAX FOR ALL OTHER CONTACT, AFTER DURABILITY 10 MILLIOHMS MAX CHANGE, AFTER DURABILITY WITH STANDING: 100 MEGOHMS MIN
 - 1-3 DIELECTRIC WITH STANDING: 100 MEGOHMS MIN
- MECHANICAL CHARACTERISTICS:
 - 2-1 CONNECTOR MATING FORCE: 5~20N
 - 2-2 CONNECTOR UNMATING FORCE: 20N MIN INITIAL, 8N MIN AFTER DURABILITY.
 - 2-3 DURABILITY: 10000 CYCLES.
 - 2-4 OPERATING TEMPERATURE RANGE: -20°C TO +85°C
- DIMENSIONS ARE IN MILLIMETERS, BRACKETED DIMENSIONS ARE INCHES EQUIVALENTS.
- RECOMMENDED PROCESS: IR REFLOW PEAK TEMPERATURE 260°C.
- THE CONNECTOR IS ROHS COMPLIANT AND HALOGEN FREE.
- WHEN PLUG IS INSERTED INTO CONNECTOR IN WORSE CONDITION, SPRING TIP TOUCH PCB, SO INHIBIT CIRCUIT IN SPRING TIP AREA.
- ROHS2.0 & REACH
- HF

Section B-B

CHECKED	Steve	UNLESS OTHERWISE SPECIFIED TOLERANCE	NAME	US92 Gear32 C1 Rev 31/07/04 3mm Dip Small Receptacle
APPROVED	Marvin	Dimension Range	SCALE	UNIT
			N/A	MM
REV.	D	Tolerance	SIZE	SHEET
		±0.35	A4	1/3
		±0.25		
		±0.15		
		ANGLE		
		45°		

增加激光制程	DRAWN	120921
MODIFY	DRAWN	092820
REVISION RECORD	DRAWN	MMDDYY

PART NO. JCN-U4CG-UGAR-XXX1

DOC. NO. JCN-U4CG-UGAR-XXX1

HF ROHS

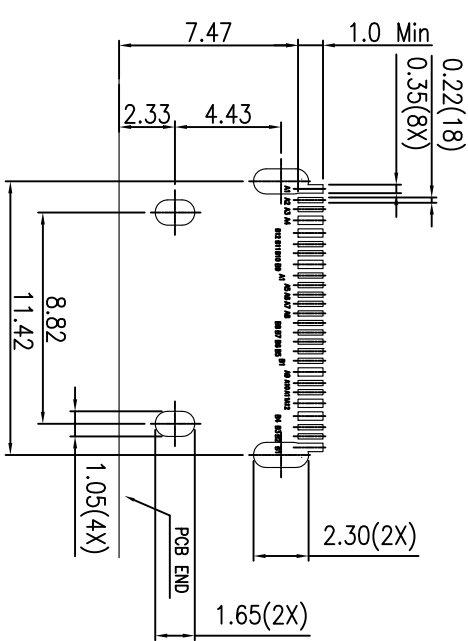
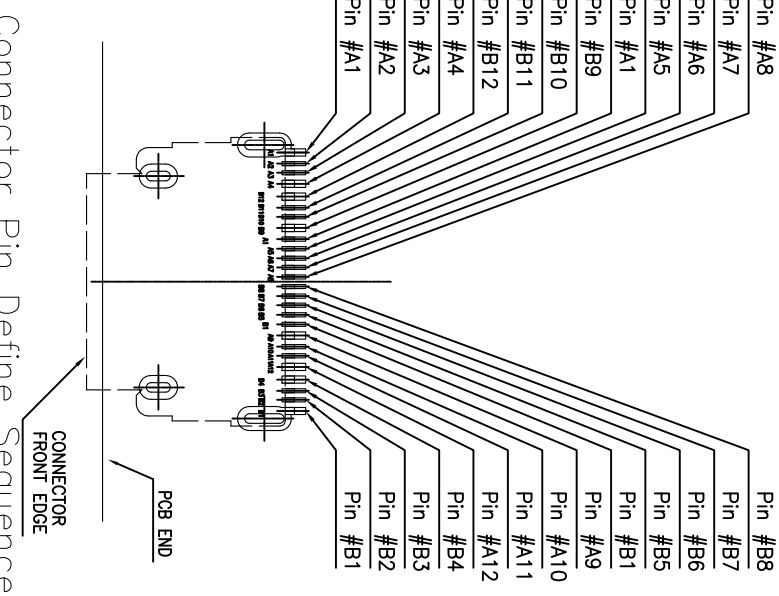
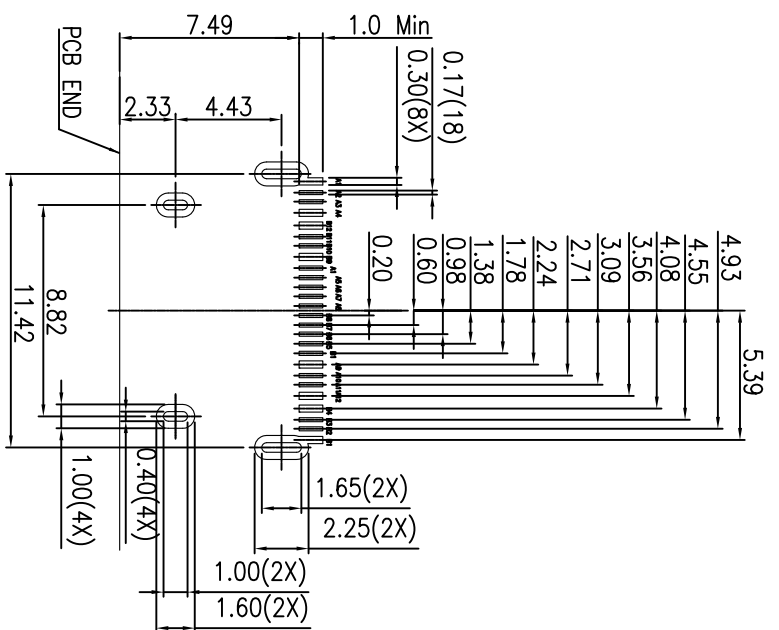
THIS IS A ROHS COMPLIANT COMPONENT PRODUCT.

V-GENERAL TECHNOLOGY

維將科技股份有限公司

Design drawing

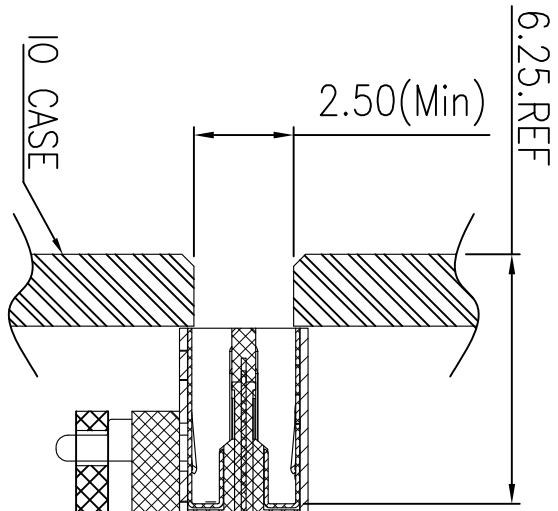
PIN ASSIGNMENT					
Pin Number	Signal Name	Description	Pin Number	Signal Name	Description
A1	(GND)	Ground for Power Return	B12	(GND)	Ground for Power Return
A2	SS TX1+	Positive half of first SuperSpeed TX differential pair	B11	SS RX1+	Positive half of first SuperSpeed RX differential pair
A3	SS TX1-	Negative half of first SuperSpeed TX differential pair	B10	SS RX1-	Negative half of first SuperSpeed RX differential pair
A4	VBUS	POWER	B9	VBUS	POWER
A5	CC1	Configuration Channel	B8	SR12	Sideband Use (SBU)
A6	D-	USB2.0 differential pair	B7	D-	USB2.0 differential pair
A7	D+	USB2.0 differential pair	B6	D+	USB2.0 differential pair
A8	SB01	Sideband Use (SBU)	B5	CC2	Configuration Channel
A9	VBUS	POWER	B4	VBUS	POWER
A10	SS RX2-	Negative half of second SuperSpeed RX differential pair	B3	SS TX2-	Negative half of second SuperSpeed TX differential pair
A11	SS RX2+	Positive half of second SuperSpeed RX differential pair	B2	SS TX2+	Positive half of second SuperSpeed TX differential pair
A12	(GND)	Ground for Power Return	B1	(GND)	Ground for Power Return



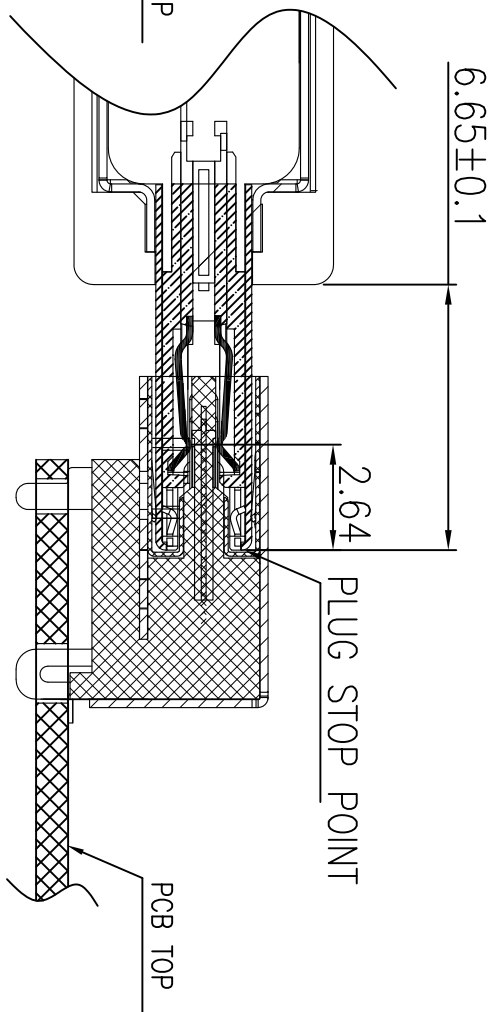
△D	增加激光配程	DRAWN	120921
△C	MODIFY	DRAWN	092820
MARK	REVISION RECORD	DRAWN	MMDDYY

CHECKED	Steve	UNLESS OTHERWISE SPECIFIED TOLERANCE	NAME	USB3.2 Gen2x2 C1 Row SMT Offset 3.4mm Dip Shell/Receptacle
APPROVED	Marvin	Dimension Range	SCALE	N/A
REV.	D	Tolerance	UNIT	mm
		±0.35	SHEET	2/3
		±0.25	SIZE	A4
		±0.15	ANGLE	45°

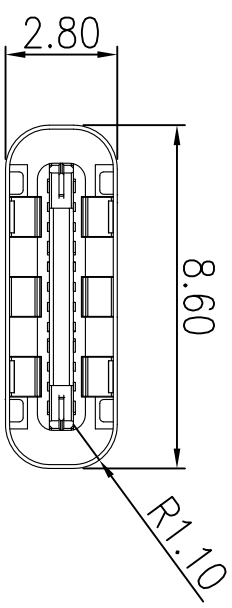
Part No: JCN-U4CG-UGAR-XXX1
 Doc. No: JCN-U4CG-UGAR-XXX1
 HF ROHS
 V-GENERAL TECHNOLOGY
 維將科技股份有限公司
 Design drawing



IO PANEL



PLUG INTO RECEPTACLE REPRESENT



Panel Cut Out

CHECKED		UNLESS OTHERWISE SPECIFIED TOLERANCE		NAME		SCALE		UNIT		SHEET		PART NO.		HF	
Steve		Dimension Range Tolerance		USB3.2 Gen3x2 C.1 Row SMT,Offset 3.4mm,Dip Shell,Receptacle		N/A		mm		3/3		JCN-U4CG-UGAR-BGR1		Rohs	
APPROVED		X.XX ±0.35		Material/Plating/Finish		SIZE		mm		① HOUSING : HIGH TEMPERATURE PLASTIC		JCN-U4CG-UGAR-BGR1		THIS IS A ROHS COMPLIANT COMPONENT PRODUCT.	
Marvin		X.XX ±0.25		Shield : STAINLESS STEEL / BRIGHT NICKEL PLATING		A4		mm		② CONTACTS : COPPER ALLOY/NICKEL UNDERPLATED OVERALL LEAD FREE TIN ALLOY AT TERMINATION.		JCN-U4CG-UGAR-BGR1		V-GENERAL TECHNOLOGY	
REV.		X.XXX ±0.15		ANGLE		45°		mm						維將科技股份有限公司	
D														Design drawing	
DRAWN		120921													
MODIFY		DRAWN		092820											
REVISION RECORD		DRAWN		MMDDYY											
MARK		1		2		3		4		5					

