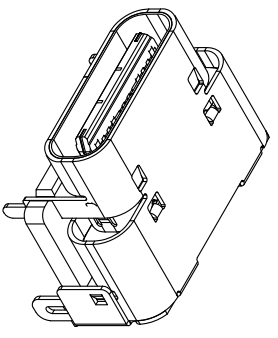


Section B-B



PART NUMBER : JCN-32CG-UGAR-XXX1

- Plastic Color: _____
 A=Blue
 B=Black
- Gold Plating:
 G=Gold Flash
 A=3u"
 B=6u"
 C=10u"
 D=15u"
 F=30u"
- Package:
 R=Taping Reel
 T=Tary
 I=Tube
- NOTES:
- ELECTRICAL CHARACTERISTICS:
 - 1-1 CONTACT CURRENT RATING: 1.25A FOR VBUS PIN AND ITS CORRESPONDING GND PIN, 0.25A MIN FOR ALL OTHER CONTACTS.
 - 1-2 CONTACT RESISTANCE: INITIAL 30 MILLIOHMS MAX FOR VBUS AND GND CONTACT, INITIAL 40 MILLIOHMS MAX FOR ALL OTHER CONTACT, AFTER DURABILITY 10 MILLIOHMS MAX CHANGE, AFTER DURABILITY WITH STANDING: 100 MEGOHMS MIN
 - 1-3 DIELECTRIC WITH STANDING: 100 MEGOHMS MIN
 - MECHANICAL CHARACTERISTICS:
 - 2-1 CONNECTOR MATING FORCE: 5~20N
 - 2-2 CONNECTOR UNMATING FORCE: 20N MIN INITIAL, 8N MIN AFTER DURABILITY.
 - 2-3 DURABILITY: 10000 CYCLES.
 - 2-4 OPERATING TEMPERATURE RANGE: -20°C TO +85°C
 - DIMENSIONS ARE IN MILLIMETERS, BRACKETED DIMENSIONS ARE INCHES EQUIVALENTS.
 - RECOMMENDED PROCESS: IR REFLOW PEAK TEMPERATURE 260°C
 - THE CONNECTOR IS ROHS COMPLIANT AND HALOGEN FREE.
 - WHEN PLUG IS INSERTED INTO CONNECTOR IN WORSE CONDITION, SPRING TIP TOUCH PCB, SO INHIBIT CIRCUIT IN SPRING TIP AREA.
 - ROHS2.0 & REACH
 - HF

US92 Gen2pc C1 Rev 5/17/04 3mm Dip Small Receptacle

CHECKED Steve

APPROVED Marv'n

UNLESS OTHERWISE SPECIFIED TOLERANCE

Dimension Range	Tolerance
XX	±0.35
X.XX	±0.25
X.XXX	±0.15
ANGLE	±5°

NAME

SCALE

UNIT

MM

SHEET

1/3

SIZE

A4

CONTACTS : COPPER ALLOY/NICKEL UNDERPLATED OVERALL LEAD FREE TIN ALLOY AT TERMINATION.

HOUSING : HIGH TEMPERATURE PLASTIC

SHIELD : STAINLESS STEEL / BRIGHT NICKEL PLATING

WARRANTY/DEFECT/REVISION

REVISION RECORD

REVISION RECORD

REVISION RECORD

REVISION RECORD

REVISION RECORD

REVISION RECORD

REVISION RECORD

REVISION RECORD

REVISION RECORD

REVISION RECORD

REVISION RECORD

REVISION RECORD

REVISION RECORD

REVISION RECORD

REVISION RECORD

REVISION RECORD

REVISION RECORD

REVISION RECORD

REVISION RECORD

REVISION RECORD

REVISION RECORD

REVISION RECORD

REVISION RECORD

REVISION RECORD

REVISION RECORD

REVISION RECORD

REVISION RECORD

REVISION RECORD

REVISION RECORD

REVISION RECORD

REVISION RECORD

REVISION RECORD

REVISION RECORD

REVISION RECORD

REVISION RECORD

REVISION RECORD

REVISION RECORD

REVISION RECORD

REVISION RECORD

REVISION RECORD

REVISION RECORD

REVISION RECORD

REVISION RECORD

REVISION RECORD

REVISION RECORD

REVISION RECORD

REVISION RECORD

REVISION RECORD

REVISION RECORD

REVISION RECORD

REVISION RECORD

REVISION RECORD

REVISION RECORD

REVISION RECORD

REVISION RECORD

REVISION RECORD

REVISION RECORD

REVISION RECORD

REVISION RECORD

REVISION RECORD

REVISION RECORD

REVISION RECORD

REVISION RECORD

REVISION RECORD

REVISION RECORD

REVISION RECORD

REVISION RECORD

REVISION RECORD

REVISION RECORD

REVISION RECORD

REVISION RECORD

REVISION RECORD

REVISION RECORD

REVISION RECORD

REVISION RECORD

REVISION RECORD

REVISION RECORD

REVISION RECORD

REVISION RECORD

REVISION RECORD

REVISION RECORD

REVISION RECORD

REVISION RECORD

REVISION RECORD

REVISION RECORD

REVISION RECORD

REVISION RECORD

REVISION RECORD

REVISION RECORD

REVISION RECORD

REVISION RECORD

REVISION RECORD

REVISION RECORD

REVISION RECORD

REVISION RECORD

REVISION RECORD

REVISION RECORD

REVISION RECORD

REVISION RECORD

REVISION RECORD

REVISION RECORD

REVISION RECORD

REVISION RECORD

REVISION RECORD

REVISION RECORD

REVISION RECORD

REVISION RECORD

REVISION RECORD

REVISION RECORD

REVISION RECORD

REVISION RECORD

REVISION RECORD

REVISION RECORD

REVISION RECORD

REVISION RECORD

REVISION RECORD

REVISION RECORD

REVISION RECORD

REVISION RECORD

REVISION RECORD

REVISION RECORD

REVISION RECORD

REVISION RECORD

REVISION RECORD

REVISION RECORD

REVISION RECORD

REVISION RECORD

REVISION RECORD

REVISION RECORD

REVISION RECORD

REVISION RECORD

REVISION RECORD

REVISION RECORD

REVISION RECORD

REVISION RECORD

REVISION RECORD

REVISION RECORD

REVISION RECORD

REVISION RECORD

REVISION RECORD

REVISION RECORD

REVISION RECORD

REVISION RECORD

REVISION RECORD

REVISION RECORD

REVISION RECORD

REVISION RECORD

REVISION RECORD

REVISION RECORD

REVISION RECORD

REVISION RECORD

REVISION RECORD

REVISION RECORD

REVISION RECORD

REVISION RECORD

REVISION RECORD

REVISION RECORD

REVISION RECORD

REVISION RECORD

REVISION RECORD

REVISION RECORD

REVISION RECORD

REVISION RECORD

REVISION RECORD

REVISION RECORD

REVISION RECORD

REVISION RECORD

REVISION RECORD

REVISION RECORD

REVISION RECORD

REVISION RECORD

REVISION RECORD

REVISION RECORD

REVISION RECORD

REVISION RECORD

REVISION RECORD

REVISION RECORD

REVISION RECORD

REVISION RECORD

REVISION RECORD

REVISION RECORD

REVISION RECORD

REVISION RECORD

REVISION RECORD

REVISION RECORD

REVISION RECORD

REVISION RECORD

REVISION RECORD

REVISION RECORD

REVISION RECORD

REVISION RECORD

REVISION RECORD

REVISION RECORD

REVISION RECORD

REVISION RECORD

REVISION RECORD

REVISION RECORD

REVISION RECORD

REVISION RECORD

REVISION RECORD

REVISION RECORD

REVISION RECORD

REVISION RECORD

REVISION RECORD

REVISION RECORD

REVISION RECORD

REVISION RECORD

REVISION RECORD

REVISION RECORD

REVISION RECORD

REVISION RECORD

REVISION RECORD

REVISION RECORD

REVISION RECORD

REVISION RECORD

REVISION RECORD

REVISION RECORD

REVISION RECORD

REVISION RECORD

REVISION RECORD

REVISION RECORD

REVISION RECORD

REVISION RECORD

REVISION RECORD

REVISION RECORD

REVISION RECORD

REVISION RECORD

REVISION RECORD

REVISION RECORD

REVISION RECORD

REVISION RECORD

REVISION RECORD

REVISION RECORD

REVISION RECORD

REVISION RECORD

REVISION RECORD

REVISION RECORD

REVISION RECORD

REVISION RECORD

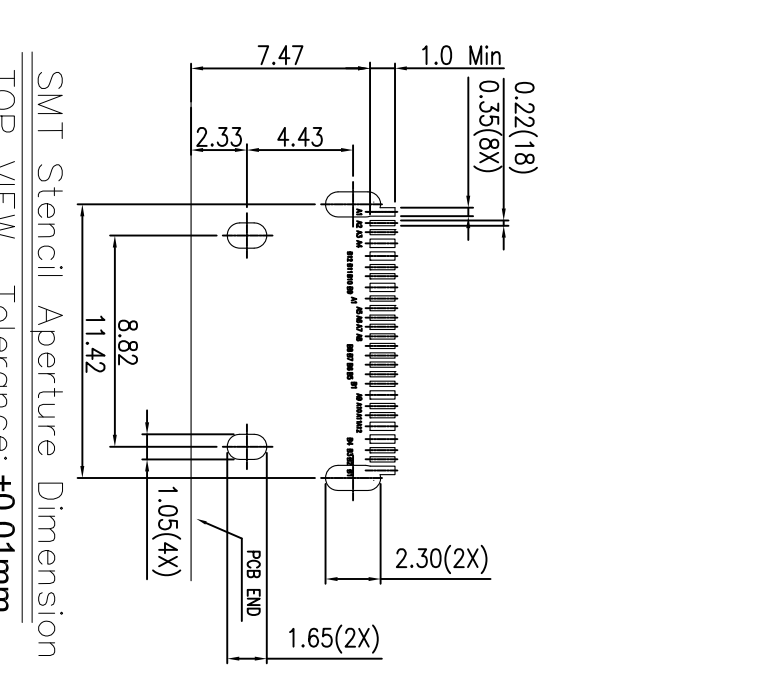
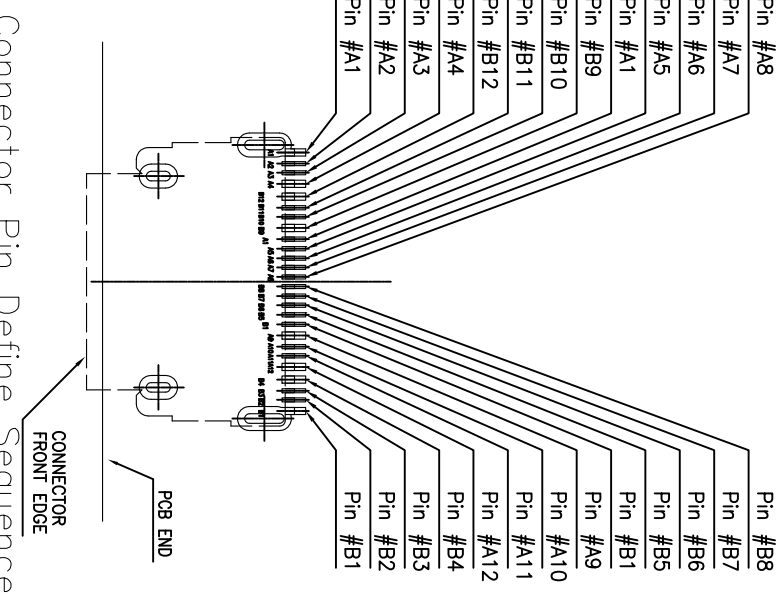
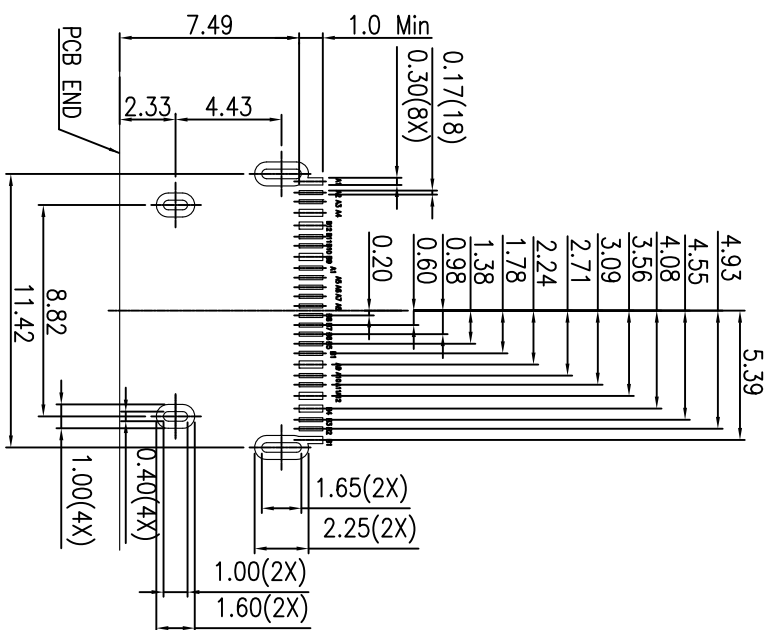
REVISION RECORD

REVISION RECORD

REVISION RECORD

REVISION RECORD

PIN ASSIGNMENT					
Pin Number	Signal Name	Description	Pin Number	Signal Name	Description
A1	(GND)	Ground for Power Return	B12	(GND)	Ground for Power Return
A2	SS TX1+	Positive half of first SuperSpeed TX differential pair	B11	SS RX1+	Positive half of first SuperSpeed RX differential pair
A3	SS TX1-	Negative half of first SuperSpeed TX differential pair	B10	SS RX1-	Negative half of first SuperSpeed RX differential pair
A4	VBUS	POWER	B9	VBUS	POWER
A5	CC1	Configuration Channel	B8	SR12	Sideband Use (SBU)
A6	D-	USB2.0 differential pair	B7	D-	USB2.0 differential pair
A7	D+	USB2.0 differential pair	B6	D+	USB2.0 differential pair
A8	SB01	Sideband Use (SBU)	B5	CC2	Configuration Channel
A9	VBUS	POWER	B4	VBUS	POWER
A10	SS RX2-	Negative half of second SuperSpeed RX differential pair	B3	SS TX2-	Negative half of second SuperSpeed TX differential pair
A11	SS RX2+	Positive half of second SuperSpeed RX differential pair	B2	SS TX2+	Positive half of second SuperSpeed TX differential pair
A12	(GND)	Ground for Power Return	B1	(GND)	Ground for Power Return

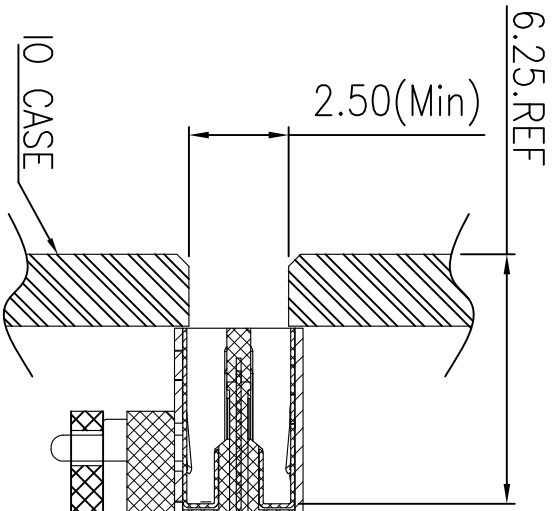


PCB Foot Printer Dimension
TOP VIEW Tolerance: ±0.01mm

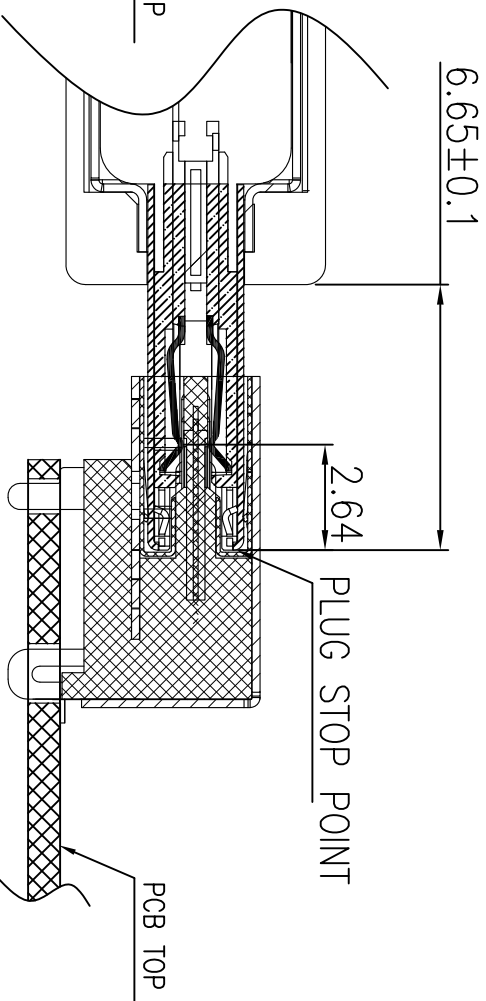
Connector Pin Define Sequence

SMT Stencil Aperture Dimension
TOP VIEW Tolerance: ±0.01mm

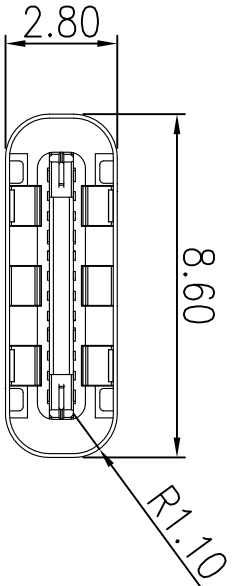
CHECKED		NAME		USB3.2 Gen2x2 C1 Row SMT Offset 3.4mm Dip Shell/Receptacle	
Steve		SCALE		Material/Plating/Finishes	
APPROVED		UNIT		① SHIELD : STAINLESS STEEL /	
Marvin		mm		② SHIELD : BRIGHT NICKEL PLATING	
DRAWN		SHEET		③ HOUSING : HIGH TEMPERATURE PLASTIC	
1209Z1		2/3		④ CONTACTS : COPPER ALLOY/NICKEL	
DRAWN		SIZE		⑤ UNDERPLATED OVERALL LEAD FREE TIN	
0928Z20		A4		ALLOY AT TERMINATION.	
REVISION RECORD		ANGLE		PART NO.	
MMDVY		45°		JCN-32CG-UGAR-XXX1	
MARK		REV.		DOC. NO.	
MODIFY		D		JCN-32CG-UGAR-XXX1	
REVISION RECORD		ANGLE		THIS IS A ROHS COMPLIANT COMPONENT PRODUCT.	
MMDVY		45°			
MMDVY		45°			
MMDVY		45°			



IO PANEL



PLUG INTO RECEPTACLE REPRESENT



Panel Cut Out

CHECKED		NAME		PART NO.		HF		V-GENERAL	
Steve		USB3.2 Gen2x2 C.1 Row SMT,Offset 3.4mm,Dip Shell,Receptacle		JCN-32CG-UGAR-BGR1		THIS IS A ROHS COMPLIANT COMPONENT PRODUCT.		TECHNOLOGY	
APPROVED		SCALE		DOC. NO.		RoHS		維將科技股份有限公司	
Marvin		N/A		JCN-32CG-UGAR-BGR1		Logo		Design drawing	
UNLESS OTHERWISE SPECIFIED TOLERANCE		UNIT		SHEET		HONG KONG			
Dimension Range Tolerance		mm		3/3		CHINA			
X.XX		mm		① HOUSING : HIGH TEMPERATURE PLASTIC		TAINWAN			
X.XXX		mm		② CONTACTS : COPPER ALLOY/NICKEL UNDERPLATED OVERALL LEAD FREE TIN		TAIWAN			
X.XXX		mm		ALLOY AT TERMINATION.		TAIWAN			
ANGLE		SIZE		A4		TAIWAN			
45°		A4		3/3		TAIWAN			
REV.		SHEET		A4		TAIWAN			
D		3/3		A4		TAIWAN			
MARK		DRAWN		MMDYY'		TAIWAN			
REVISION RECORD		DRAWN		MMDYY'		TAIWAN			
MODIFY		DRAWN		092820		TAIWAN			
增加激光點標		DRAWN		120921		TAIWAN			
DRAWN		DRAWN		120921		TAIWAN			
1		2		3		4		5	