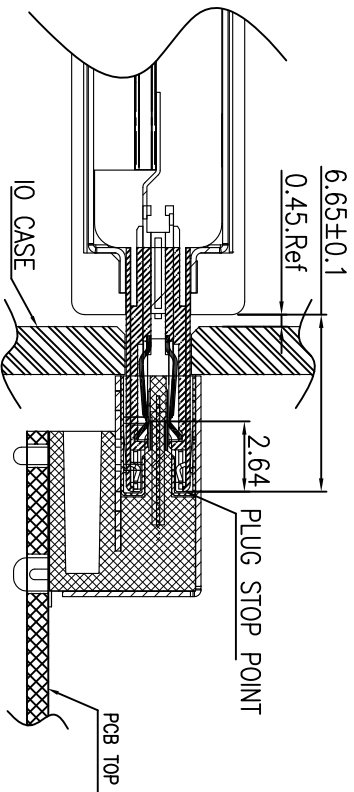


RECOMMEND PCB LAYOUT
TOP VIEW Tolerance:±0.05mm
SOLDER AREA
Tolerance:±0.05mm

PIN ASSIGNMENT		
Pin Number	Signal Name	Description
A1	GND	Ground for Power Return
A2	SS TX1+	Positive half of first SuperSpeed TX differential pair
A3	SS TX1-	Negative half of first SuperSpeed TX differential pair
A4	VBUS	POWER
A5	CCI	Configuration Channel
A6	D+	USB2.0 differential pair
A7	D-	USB2.0 differential pair
A8	SBU1	Sideband Use (SBU)
A9	VBUS	POWER
A10	SS RX2-	Negative half of second SuperSpeed RX differential pair
A11	SS RX2+	Positive half of second SuperSpeed RX differential pair
A12	GND	Ground for Power Return
B12	GND	Ground for Power Return
B11	SS RX1+	Positive half of first SuperSpeed RX differential pair
B10	SS RX1-	Negative half of first SuperSpeed RX differential pair
B9	VBUS	POWER
B8	SBU2	Sideband Use (SBU)
B7	D-	USB2.0 differential pair
B6	D+	USB2.0 differential pair
B5	CC2	Configuration Channel
B4	VBUS	POWER
B3	SS TX2-	Negative half of second SuperSpeed TX differential pair
B2	SS TX2+	Positive half of second SuperSpeed TX differential pair
B1	GND	Ground for Power Return



PLUG INTO RECEPTACLE REPRESENT

CHECKED Leon		UNLESS OTHERWISE SPECIFIED TOLERANCE		NAME USB3.2 Gen2x2 C1 Rev. SMT Case 4.13mm, 4p Shell, Receptacle	
APPROVED Xavier		Dimensional Range / Tolerance		SCALE N/A	
REV. X1		XX XX XX		UNIT mm	
DRAWN MIDDYV		±0.35 ±0.25 ±0.15		SIZE A4	
REVISION RECORD		ANGLE 45°		SHEET 2/2	
NEW DESIGN		DRAWN		DRAWN	
REVISION RECORD		DRAWN		DRAWN	
MARK		050820		DOC. NO. JCN-32CG-UHAB-XXX1	
1		2		3	
4		5		Design drawing	

