

PART NUMBER : JCN-31CG-UAAA-XXX1

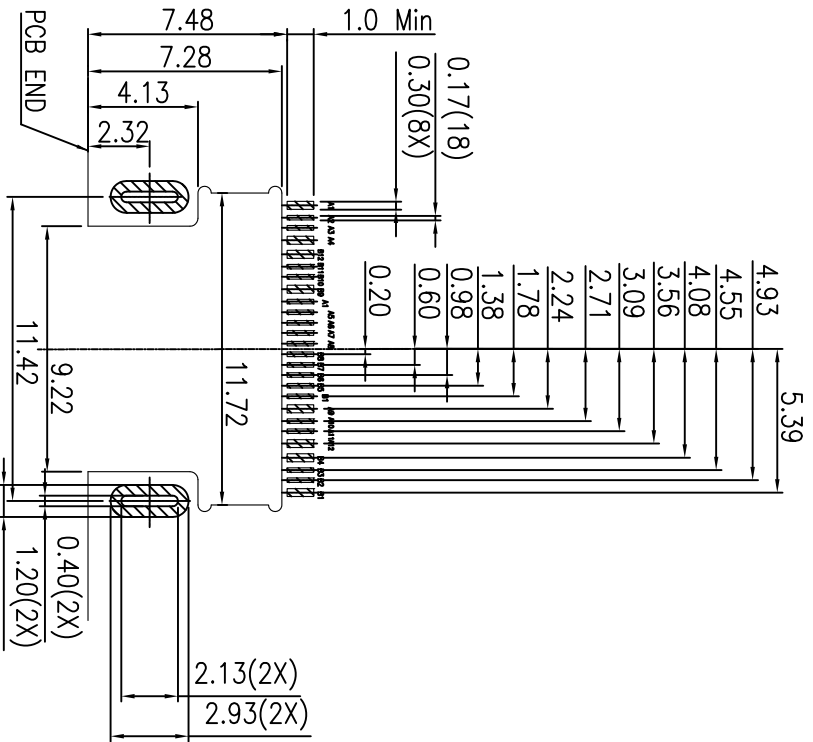
Plastic Color: _____
 A=Blue
 B=Black
 Package: _____
 R=Taping Reel
 T=Tary
 U=Tube
 Gold Plating: _____
 G=Gold Flash
 A=3u"
 B=6u"
 C=10u"
 D=15u"
 E=30u"

NOTES:

1. ELECTRICAL CHARACTERISTICS:
 - 1-1 CONTACT CURRENT RATING: 1.25A FOR VBUS PIN AND ITS CORRESPONDING GND PIN, 0.25A MIN FOR ALL OTHER CONTACTS.
 - 1-2 CONTACT RESISTANCE: INITIAL 30 MILLIOHMS MAX FOR VBUS AND GND CONTACT, INITIAL 40 MILLIOHMS MAX FOR ALL OTHER CONTACT, AFTER DURABILITY 10 MILLIOHMS MAX CHANGE.
 - 1-3 DIELECTRIC WITH STANDING: 100 MEGOHMS MIN
2. MECHANICAL CHARACTERISTICS:
 - 2-1 CONNECTOR MATING FORCE: 5~20N
 - 2-2 CONNECTOR UNMATING FORCE: 20N MIN INITIAL, 8N MIN AFTER DURABILITY.
 - 2-3 DURABILITY: 10000 CYCLES.
 - 2-4 OPERATING TEMPERATURE RANGE: -20°C TO +85°C
3. DIMENSIONS ARE IN MILLIMETERS, BRACKETED DIMENSIONS ARE INCHES EQUIVALENTS.
4. RECOMMENDED PROCESS: IR REFLOW PEAK TEMPERATURE 260°C
5. THE CONNECTOR IS ROHS COMPLIANT AND HALOGEN FREE.
6. WHEN PLUG IS INSERTED INTO CONNECTOR IN WORSE CONDITION, SPRING TIP TOUCH PCB, SO INHIBIT CIRCUIT IN SPRING TIP AREA.

Section B-B

CHECKED Leon	APPROVED Xavier	UNLESS OTHERWISE SPECIFIED TOLERANCE		NAME	US3A.2 Gen2 C.1 Rev. SMT/Chn. 0.06mm Lp. Shell/Receptacle	PART NO. JCN-31CG-UAAA-XXX1	DOC. NO. JCN-31CG-UAAA-XXX1	HF ROHS	V-GENERAL TECHNOLOGY 維將科技股份有限公司
		Dimensional Range	Tolerance	SCALE	UNIT				
NEW DESIGN	DRAWN	REV.	SIZE	A4	1/2	CONTACTS : COPPER ALLOY/NICKEL-UNDERPLATED OVERALLOY LEAD FREE TIN ALLOY AT TERMINATION.			
REVISION RECORD	DRAWN	ANGLE	40.35						
			40.25						
			40.15						
			45°						
MARK									



RECOMMEND PCB LAYOUT

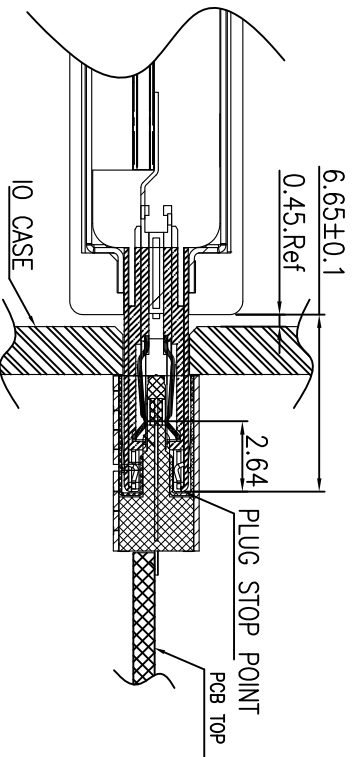
TOP VIEW Tolerance:±0.05mm



SOLDER AREA

Tolerance: +0.05mm

PIN ASSIGNMENT		
Pin Number	Signal Name	Description
A1	GND	Ground for Power Return
A2	SS TX1+	Positive half of first SuperSpeed TX differential pair
A3	SS TX1-	Negative half of first SuperSpeed TX differential pair
A4	VBUS	POWER
A5	CCI	Configuration Channel
A6	D+	USB2.0 differential pair
A7	D-	USB2.0 differential pair
A8	SBU1	Sideband Use (SBU)
A9	VBUS	POWER
A10	SS RX2-	Negative half of second SuperSpeed RX differential pair
A11	SS RX2+	Positive half of second SuperSpeed RX differential pair
A12	GND	Ground for Power Return
B12	GND	Ground for Power Return
B11	SS RX1+	Positive half of first SuperSpeed RX differential pair
B10	SS RX1-	Negative half of first SuperSpeed RX differential pair
B9	VBUS	POWER
B8	SBU2	Sideband Use (SBU)
B7	D-	USB2.0 differential pair
B6	D+	USB2.0 differential pair
B5	CC2	Configuration Channel
B4	VBUS	POWER
B3	SS TX2-	Negative half of second SuperSpeed TX differential pair
B2	SS TX2+	Positive half of second SuperSpeed TX differential pair
B1	GND	Ground for Power Return



PLUG INTO RECEPTACLE REPRESENT

CHECKED Leon		UNLESS OTHERWISE SPECIFIED TOLERANCE		NAME USB3.2 Gen2 G1 Rev. A100mmDip SmallReceptacle	
APPROVED Xavier		Dimensional Range / Tolerance		SCALE UNIT	
REV. X1		XX XX XXX		NA mm	
DRAWN WIDDYV		±0.35 ±0.25 ±0.15		SIZE A4	
REVISION RECORD 1		ANGLE 45°		SHEET 2/2	
NEW DESIGN		DRAWN		① CONTACTS : COPPER ALLOY/NICKEL-UNDERPLATED OVERAL/LEAD FREE TIN	
REVISION RECORD		DRAWN		② HOUSING : HIGH TEMPERATURE PLASTIC	
1		0500620		③ SHIELD : STAINLESS STEEL/NICKEL PLATING	
2				④ MATERIAL:FR04/FR05	
3				PART NO. JCN-31CG-UAAA-XXX1	
4				DOC. NO. JCN-31CG-UAAA-XXX1	
5					