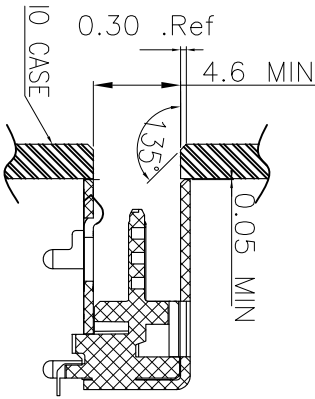
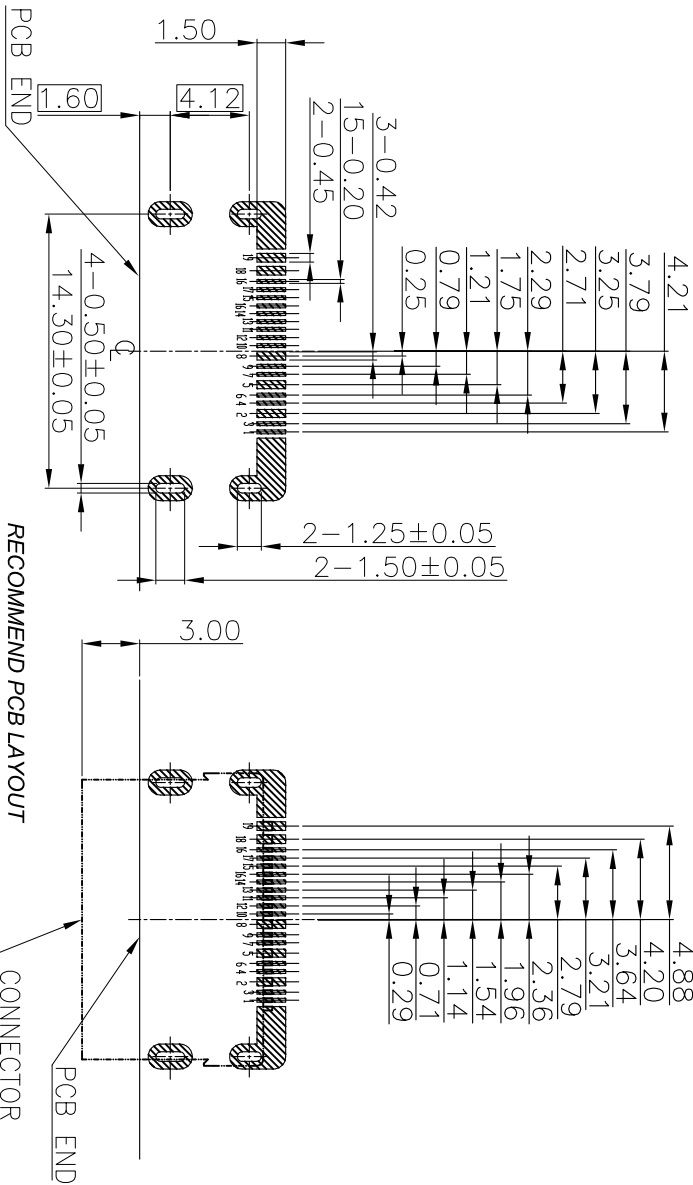
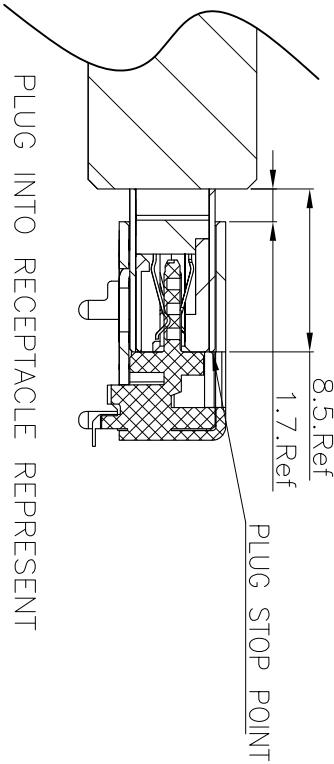


Type A Pin Number	Signal Name
1	TMS Date2+
2(2 Solder Pins)	TMS Date2 Shield
3	TMS Date2-
4	TMS Date1+
5(2 Solder Pins)	TMS Date1 Shield
6	TMS Date1-
7	TMS Date0+
8(2 Solder Pins)	TMS Date0 Shield
9	TMS Date0-
10	TMS Clock+
11(2 Solder Pins)	TMS Clock Shield
12	TMS Clock-
13	CEC
14	Utility
15	SCL
16	SDA
17	DDC/CEC Ground
18	+5V Power
19	Hot Plug Detect

HDMI- TYPE A CONNECTOR Pin Assignments



IO PANEL



CHECKED		UNLESS OTHERWISE SPECIFIED TOLERANCE		NAME		SCALE		UNIT		MATERIAL/REFERENCE/NOTES		PART NO.		HF	
Steve		Marvin		HDMI A 2.1.1 Row SMT Offset 4.13mm Dp Shell, Receptacle		NA		mm		①SHIELD : STAINLESS STEEL/NICKEL PLATING ②SHIELD : HIGH TEMPERATURE PLASTIC ③HOUSING : HIGH TEMPERATURE PLASTIC		JCN-H3AG-UHAB-XXXX		Rohs	
APPROVED		Dimension Range		Tolerance		SIZE		SHEET		④ CONTACTS : COPPER ALLOY/NICKEL UNDERPLATED OVERALL LEAD FREE TIN ALLOY AT TERMINATION.		JCN-H3AG-UHAB-XXXX		THIS IS A ROHS COMPLIANT COMPONENT PRODUCT.	
REV. A		X.XX		±0.35		A4		2/2				JCN-H3AG-UHAB-XXXX		V-GENERAL TECHNOLOGY	
MARK		X.XXX		±0.25										維將科技股份有限公司	
NEW DESIGN		X.XXX		±0.15										Design drawing	
REVISION RECORD		DRAWN		MDDYY'											