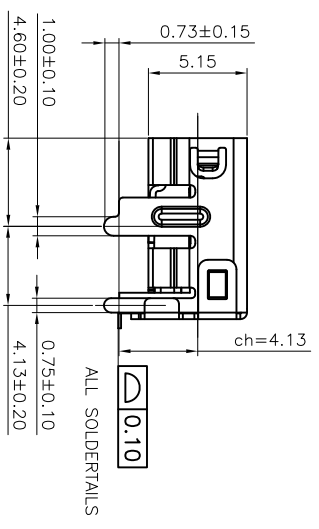
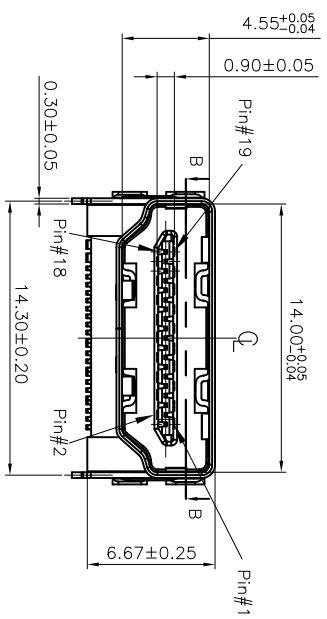


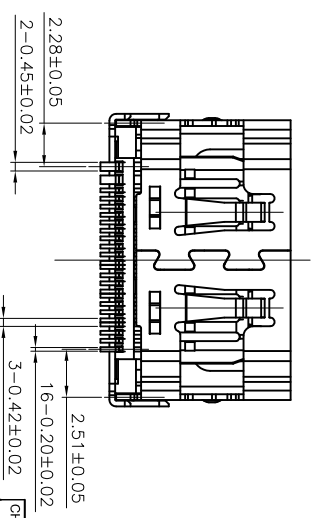
PART NUMBER : JCN-H2AG-UHAB-XXXX

- Plastic Color: \_\_\_\_\_  
 A-Blue  
 B-Black
- Gold Plating:  
 G-Gold Flash  
 A-30"  
 B-60"  
 C=10u"  
 D=15u"  
 E-30u"
- Package:  
 R=Fraying Reel  
 T=Flare  
 I=Tube



NOTES:

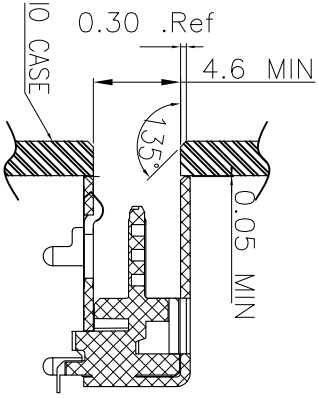
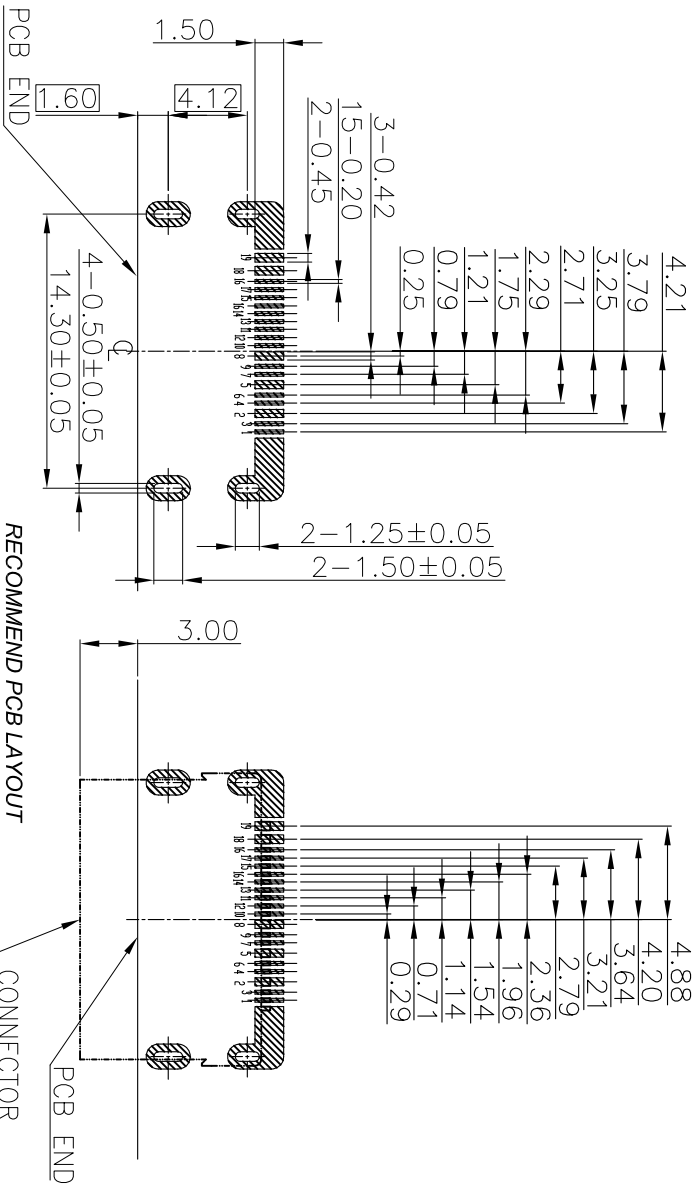
- SPECIFICATIONS
- 1.MECHANICAL:  
 1-1 INSERTION FORCE:0.1~4.5kgf  
 1-2 WITHDRAWAL FORCE:1.0~4.0kgf
- 2.ELECTRICAL  
 2-1 CONTACT CURRENT RATING:0.5A MIN.  
 2-2 VOLTAGE RATING:40V AC(rms)  
 2-3 WITHSTANDING VOLTAGE:  
 500V AC BETWEEN ADJACENT TERMINAL(UNMATE)  
 300V AC BETWEEN ADJACENT TERMINAL(MATED)
- 3-ENVIRONMENTAL  
 3-1 OPERATING TEMPERATURE:-25°C TO +85°C
4. RECOMMENDED PROCESS: IR REFLOW PEAK TEMPERATURE 260°C
5. THE CONNECTOR IS ROHS COMPLIANT AND HALOGEN FREE.



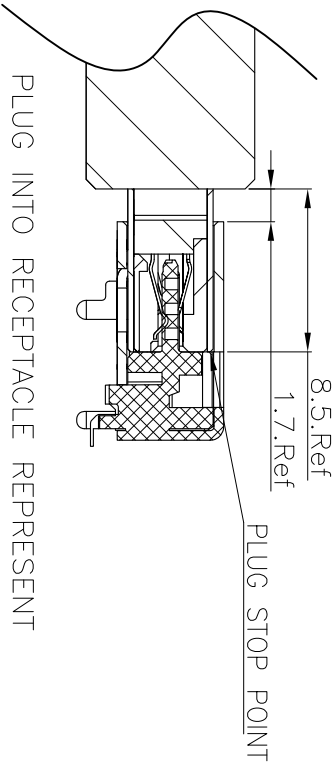
△X0	NEW DESIGN	RICH	060322	REV. A	UNLESS OTHERWISE SPECIFIED TOLERANCE	NAME	SCALE	UNIT	SHEET	DATE	DOC. NO.	HF	V-GENERAL TECHNOLOGY
MARK	REVISION RECORD	DRAWN	MMDYY'	ANG	Dimension Range	HOM A 2.0.1 Row SMT Offset 4.13mm Dp Shell, Receptacle	NA	mm	1/2	2014.04.15	JCN-H2AG-UHAB-XXXX	ROHS	維將科技股份有限公司
					Tolerance	Material/Finish/Notes					JCN-H2AG-UHAB-XXXX		
					±0.35	①SHIELD : STAINLESS STEEL/NICKEL PLATING					JCN-H2AG-UHAB-XXXX		
					±0.25	②HOUSING : HIGH TEMPERATURE PLASTIC					JCN-H2AG-UHAB-XXXX		
					±0.15	③CONTACTS : COPPER ALLOY/NICKEL UNDERPLATED OVERALL LEAD FREE TIN ALLOY AT TERMINATION.					JCN-H2AG-UHAB-XXXX		
					±5°						JCN-H2AG-UHAB-XXXX		

Type A Pin Number	Signal Name
1	TMD5 Date2+
2(2 Solder Pins)	TMD5 Date2 Shield
3	TMD5 Date2-
4	TMD5 Date1+
5(2 Solder Pins)	TMD5 Date1 Shield
6	TMD5 Date1-
7	TMD5 Date0+
8(2 Solder Pins)	TMD5 Date0 Shield
9	TMD5 Date0-
10	TMD5 Clock+
11(2 Solder Pins)	TMD5 Clock Shield
12	TMD5 Clock-
13	CEC
14	Utility
15	SCL
16	SDA
17	DDC/CEC Ground
18	+5V Power
19	Hot Plug Detect

### HDMI- TYPE A CONNECTOR Pin Assignments



### IO PANEL



CHECKED		UNLESS OTHERWISE SPECIFIED TOLERANCE		NAME		SCALE		UNIT		HDMI A 2.0.1 Row SMP Offset 4.13mm Dp Shell, Receptacle		PART NO.		HF	
Steve		MOTV/H		NA		NA		mm		①SHIELD : STAINLESS STEEL/NICKEL PLATING ②SHIELD : HIGH TEMPERATURE PLASTIC ③HOUSING : HIGH TEMPERATURE PLASTIC		JCN-H2AG-UHAB-XXXX		Rohs	
APPROVED		Dimension Range		SIZE		SHEET		④ CONTACTS : COPPER ALLOY/NICKEL UNDERPLATED OVERALL LEAD FREE TIN ALLOY AT TERMINATION.		DOC. NO.		JCN-H2AG-UHAB-XXXX		THIS IS A ROHS COMPLIANT COMPONENT PRODUCT	
Marv/H		Tolerance		A4		2/2				JCN-H2AG-UHAB-XXXX					
REV.		ANGLE		2/2		2/2									
A		45°		A4		2/2									
NEW DESIGN		RICH		06G322											
REVISION RECORD		DRAWN		MMDYY'											
1															