

PART NUMBER : JCN-H3AG-UGAB-XXXX

Plastic Color: \_\_\_\_\_  
 A=Blue  
 B=Black  
 Package: \_\_\_\_\_  
 R=Reaping Reel  
 T=Tary  
 U=Tube

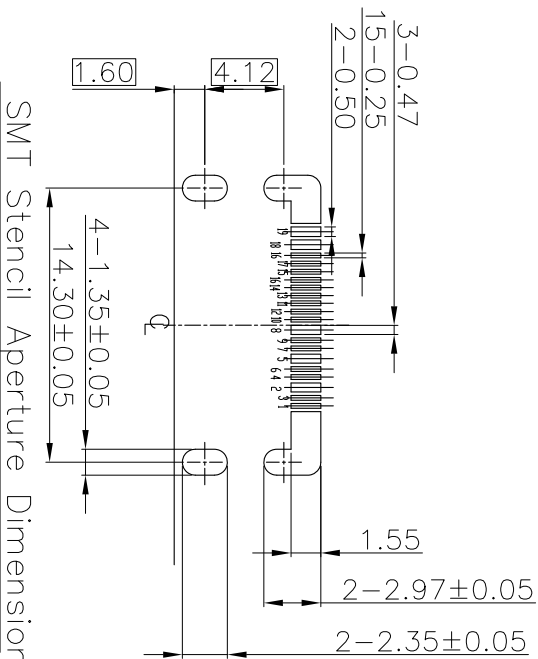
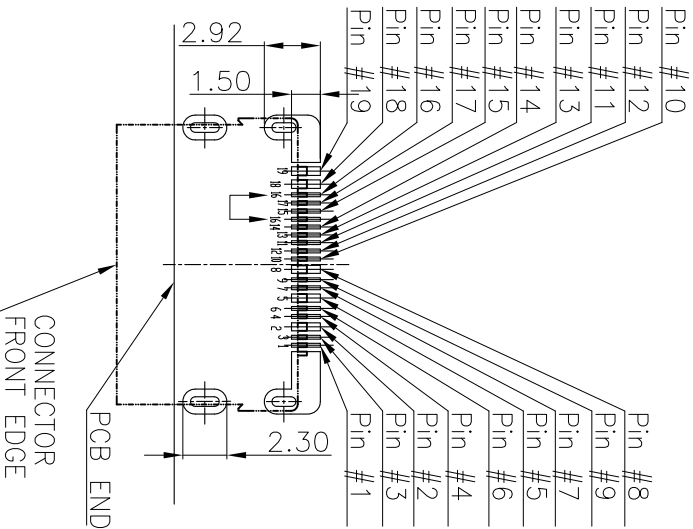
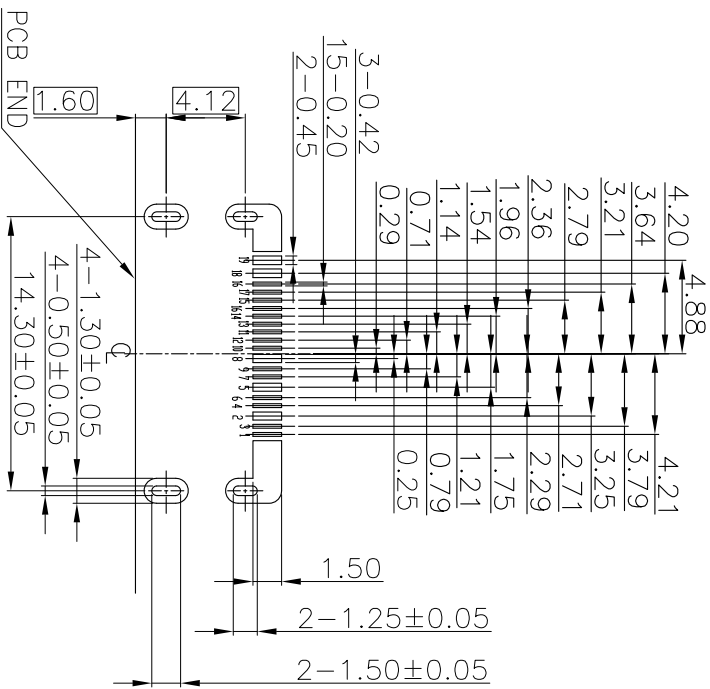
Gold Plating: \_\_\_\_\_  
 G=Gold Flash  
 A=3u"  
 B=0u"  
 C=10u"  
 D=15u"  
 E=30u"

- NOTES:
- SPECIFICATIONS
- 1-MECHANICAL:
- 1-1 INSERTION FORCE:0.1~4.5kgf
  - 1-2 WITHDRAWAL FORCE:1.0~4.0kgf
- 2-ELECTRICAL
- 2-1 CONTACT CURRENT RATING:0.5A MIN.
  - 2-2 VOLTAGE RATING:40V AC(rms)
  - 2-3 WITHSTANDING VOLTAGE: 500V AC BETWEEN ADJACENT TERMINAL(UNMATED) 300V AC BETWEEN ADJACENT TERMINAL(MATED)
  - 2-4 INSULATION RESISTANCE: SHELL: 50mΩ 100Mohm Min.(UNMATED);10Mohm Min.(MATED)
  - 2-5 CONTACT RESISTANCE: INITIAL CONTACT RESISTANCE CONTACT:30mΩ
- 3-ENVIRONMENTAL
- 3-1 OPERATING TEMPERATURE:-25°C TO +85°C
4. RECOMMENDED PROCESS: IR REFLOW PEAK TEMPERATURE 260°C
5. THE CONNECTOR IS ROHS COMPLIANT AND HALOGEN FREE.
- 6.  RoHS2.0 & REACH
  - 7.  HF

CHECKED <b>Steve</b>		UNLESS OTHERWISE SPECIFIED TOLERANCE		NAME <b>HDM A 2.11 Row SMT Offset 3.4mm Dip Shell Receptacle</b>		PART NO. <b>JCN-H3AG-UGAB-XXXX</b>		HF ROHS COMPLIANT PRODUCT		V-GENERAL TECHNOLOGY 維將科技股份有限公司	
APPROVED <b>Leon</b>		Dimension Range   Tolerance		SCALE <b>N/A</b>		UNIT <b>mm</b>		Material/Plating/Notes ① SHIELD : STAINLESS STEEL/NICKEL PLATING ② HOUSING : HIGH TEMPERATURE PLASTIC		DOC. NO. <b>JCN-H3AG-UGAB-XXXX</b>	
REV. <b>D</b>		X.XX X.XXX		±0.35 ±0.25 ±0.15		SIZE <b>A4</b>		SHEET <b>1/3</b>		CONTACTS : COPPER ALLOY/NICKEL UNDERPLATED OVERALL LEAD FREE TIN ALLOY AT TERMINATION.	
MARK		ANGLE <b>45°</b>		SIZE <b>A4</b>		SHEET <b>1/3</b>		CONTACTS : COPPER ALLOY/NICKEL UNDERPLATED OVERALL LEAD FREE TIN ALLOY AT TERMINATION.		Design drawing	
MODIFY_SPRING		LEON		111620		MDDYY'		REVISION RECORD		1	

# HDMI - TYPE A CONNECTOR Pin Assignments

Type A Pin Number	Signal Name	Type A Pin Number	Signal Name
1	TMDS Date2+	11(2 Solder Pins)	TMDS Clock Shield
2(2 Solder Pins)	TMDS Date2 Shield	12	TMDS Clock-
3	TMDS Date2-	13	CEC
4	TMDS Date1+	14	Utility
5(2 Solder Pins)	TMDS Date1 Shield	15	SCL
6	TMDS Date1-	16	SDA
7	TMDS Date0+	17	DDC/CEC Ground
8(2 Solder Pins)	TMDS Date0 Shield	18	+5V Power
9	TMDS Date0-	19	Hot Plug Detect
10	TMDS Clock+		



## PCB Foot Printer Dimension

## SMT Stencil Aperture Dimension

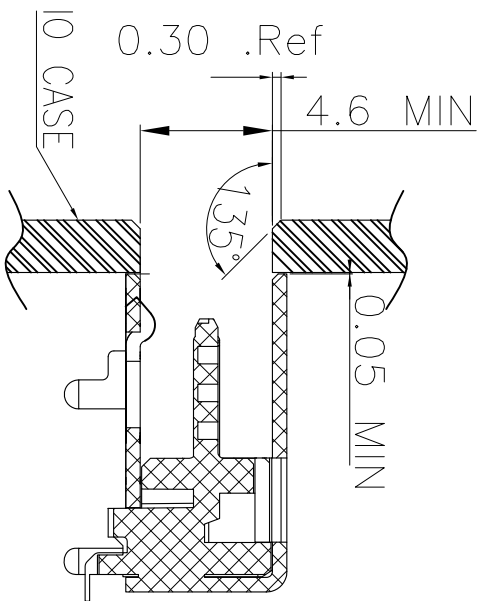
CHECKED Steve		NAME HDMI A 2.1.1 Row SMT offset 3.4mm Dip Shell Receptacle	
APPROVED Leon	UNLESS OTHERWISE SPECIFIED TOLERANCE	SCALE NA	UNIT mm
REV. D	DIMENSION RANGE TOLERANCE	SHEET 2/3	SIZE A4
	XX ±0.35	CONTACTS : COPPER ALLOY/NICKEL UNDERPLATED OVERALL LEAD FREE TIN ALLOY AT TERMINATION.	
	XX ±0.25		
	XX ±0.15		
	ANGLE 45°		

DOC. NO. JCN-H3AG-UGAB-XXXX	PART NO. JCN-H3AG-UGAB-XXXX
DOC. NO. JCN-H3AG-UGAB-XXXX2	

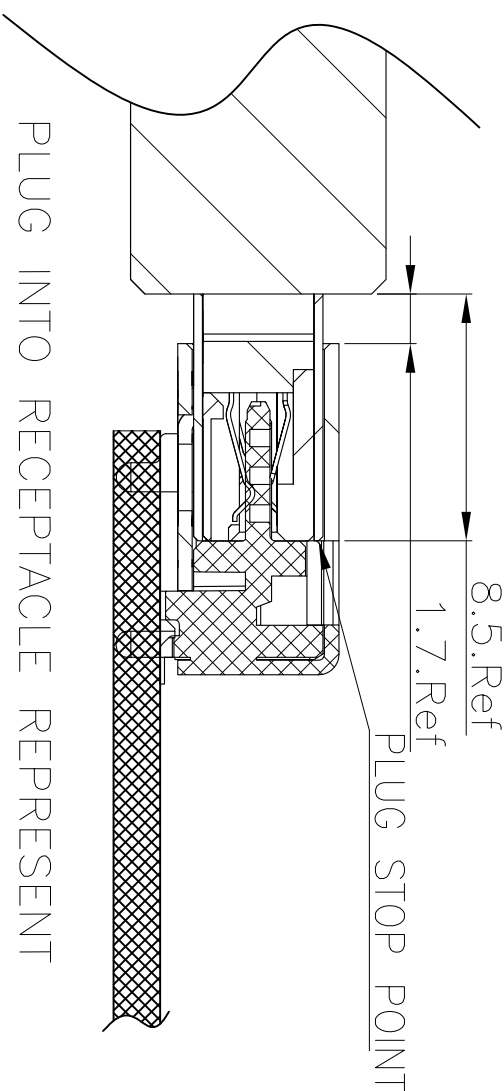
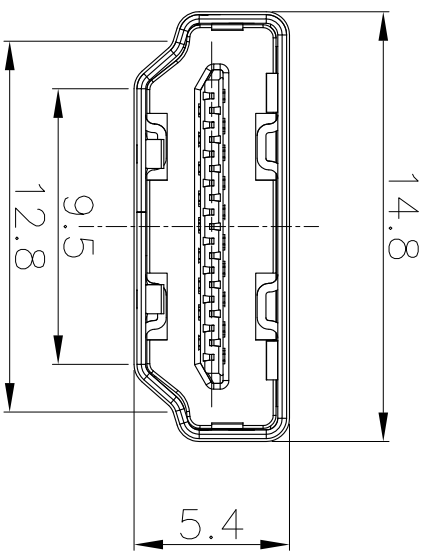
HF  
RoHS  
THIS IS A ROHS COMPLIANT COMPONENT PRODUCT.

V-GENERAL TECHNOLOGY  
維將科技股份有限公司

MODIFY_SPRING	LEON	111620
REVISION RECORD	DRAWN	MMDYY'
MARK	1	2



IO PANEL



Panel Cut Out

CHECKED Steve		UNLESS OTHERWISE SPECIFIED TOLERANCE		NAME HDM A 2.1.1 Row SMT Offset 3.4mm Dip Shell Receptacle	
APPROVED Leon		Dimension Range   Tolerance		SCALE NA	
REV.	REV.	XX	+0.35	SIZE	SHEET
D	D	X.XX	+0.25	A4	3/3
		X.XXX	+0.15		
		ANGLE	45°	© CONTACTS : COPPER ALLOY/NICKEL UNDERPLATED OVERALL LEAD FREE TIN ALLOY AT TERMINATION.	
		PATTERN/REVISIONS		PART NO.	
		@SHIELD : STAINLESS STEEL/NICKEL PLATING		JCN-H3AG-UGAB-XXXX	
		@HOUSING : HIGH TEMPERATURE PLASTIC		DOC. NO.	
				JCN-H3AG-UGAB-XXXX2	
		HF RoHS		THIS IS A ROHS COMPLIANT COMPONENT PRODUCT.	
		V-GENERAL TECHNOLOGY		維將科技股份有限公司	

△ D	MODIFY_SPRING	LEON	111620
MARK	REVISION RECORD	DRAWN	MMDYY'
	1		