

PART NUMBER : VUB1F-ADABX-XA

Plastic Color: _____
A=Blue

Gold Plating:
1=Gold
2=3u"
3=6u"
4=10u"
5=15u"
6=30u"

NOTES:

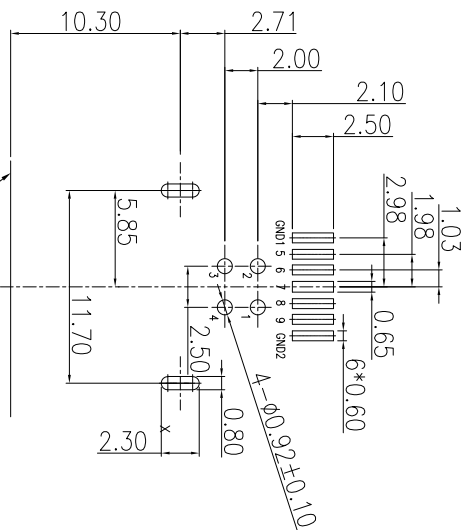
1. ELECTRICAL CHARACTERISTICS:
 - 1-1 CONTACT CURRENT RATING: 1.8A FOR VBUS PIN AND ITS CORRESPONDING GND PIN, 0.25A MIN FOR ALL OTHER CONTACTS.
 - 1-2 CONTACT RESISTANCE: INITIAL 30 MILLIOHMS MAX FOR VBUS AND GND CONTACT, INITIAL 50 MILLIOHMS MAX FOR ALL OTHER CONTACT, AFTER DURABILITY 10 MILLIOHMS MAX CHANGE.
 - 1-3 DIELECTRIC WITH STANDING: 100 MEGOHMS MIN
2. MECHANICAL CHARACTERISTICS:
 - 2-1 CONNECTOR MATING FORCE: 35N MAX
 - 2-2 CONNECTOR UNMATING FORCE: 10N MIN INITIAL, 8N MIN AFTER DURABILITY.
 - 2-3 DURABILITY: 5000 CYCLES.
 - 2-4 OPERATING TEMPERATURE RANGE: -20°C TO +85°C
3. DIMENSIONS ARE IN MILLIMETERS, BRACKETED DIMENSIONS ARE INCHES EQUIVALENTS.
4. RECOMMENDED PROCESS: IR REFLOW PEAK TEMPERATURE 260°C
5. THE CONNECTOR IS ROHS COMPLIANT AND HALOGEN FREE.
6. WHEN PLUG IS INSERTED INTO CONNECTOR IN WORSE CONDITION, SPRING TIP TOUCH PCB, SO INHIBIT CIRCUIT IN SPRING TIP AREA.

MARK	A	NEW DESIGN	DRAWN	MMDDYY'
		REVISION RECORD	DRAWN	101123

CHECKED	Steve	UNLESS OTHERWISE SPECIFIED TOLERANCE	NAME	USB B type, 3.1 Dip Shell, SMD, H=12.90, Rec.
APPROVED	Marvin	Dimension Range Tolerance	SCALE	NA
REV.	A	XX	UNIT	mm
		XXX	①SHIELD : STAINLESS STEEL/NICKEL PLATING	
		XXXX	②HOUSING : HIGH TEMPERATURE PLASTIC	
		ANGLE	③CONTACTS : COPPER ALLOY/NICKEL UNDERPLATED OVERALL LEAD FREE TIN ALLOY AT TERMINATION.	
			SIZE	A4
			SHEET	1/2

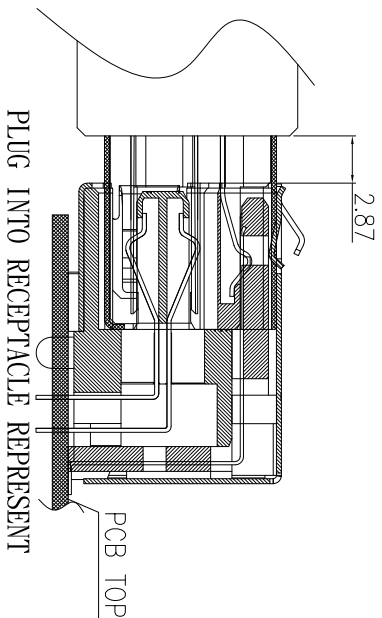
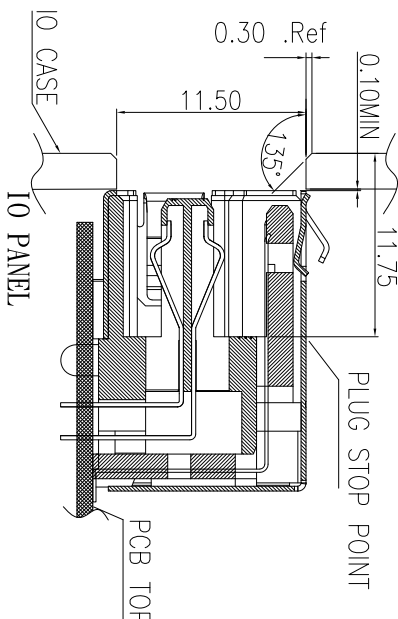
PART NO.	VUB1F-ADABX-XA
DOC. NO.	VUB1F-ADABX-XA





PIN ASSIGNMENT		
Pin Number	Signal Name	Description
1	VBUS	POWER
2	D-	USB2.0 differential pair
3	D+	
4	GND	Ground for Power Return
5	SS TX-	Superspeed transmitter differential pair
6	SS TX+	
7	GND_DRAIN	Ground for Power Return
8	SS RX-	Superspeed receiver differential pair
9	SS RX+	
GND1	GND	Ground
GND2	GND	Ground

RECOMMENDED P. C. B LAYOUT TOP VIEW
TOLERANCES ± 0.05MM



CHECKED Steve		UNLESS OTHERWISE SPECIFIED TOLERANCE		NAME USB B type, 3.1 Dip Shell, SMD, H=12.90, Rec..		SCALE NA		Material/Plating/Notes ①SHIELD : STAINLESS STEEL/NICKEL PLATING ②HOUSING : HIGH TEMPERATURE PLASTIC		PART NO. VUB1F-ADABX-XA		HF RoHS		V-GENERAL TECHNOLOGY 維將科技股份有限公司	
APPROVED Marvin		Dimension Range Tolerance		SIZE A4		UNIT mm		③CONTACTS : COPPER ALLOY/NICKEL UNDERPLATED OVERALL LEAD FREE TIN ALLOY AT TERMINATION.		DOC. NO. VUB1F-ADABX-XA		THIS IS A ROHS COMPLIANT COMPONENT PRODUCT		Design drawing	
REV. A		XX XXX XXXX		±0.35 ±0.25 ±0.15		SHEET 2/2									
NEW DESIGN		DRAWN MMDDYY		MARK		ANGLE ±5°									
REVISION RECORD		DRAWN 101123		1											