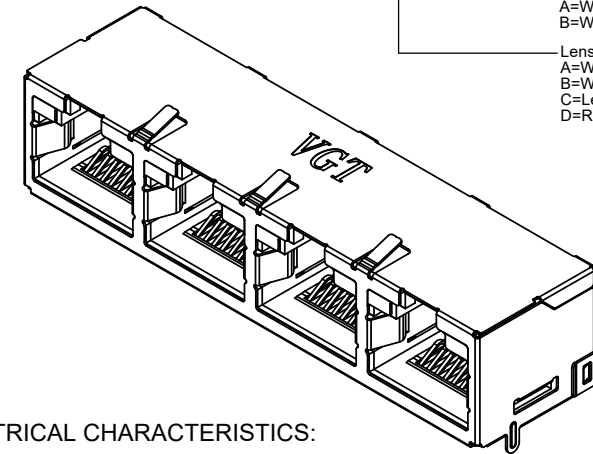
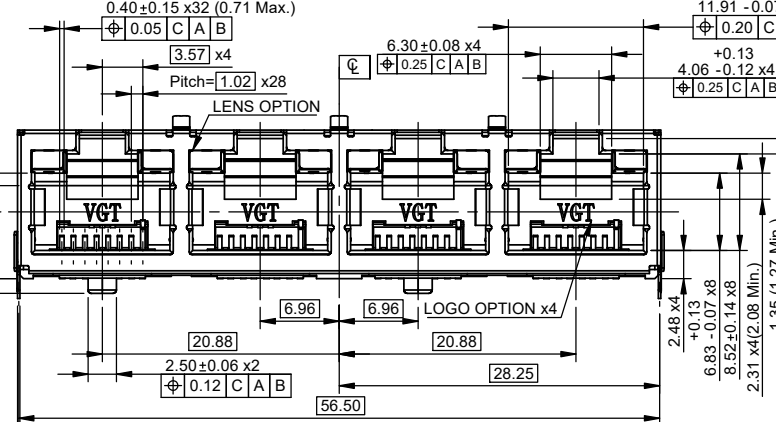
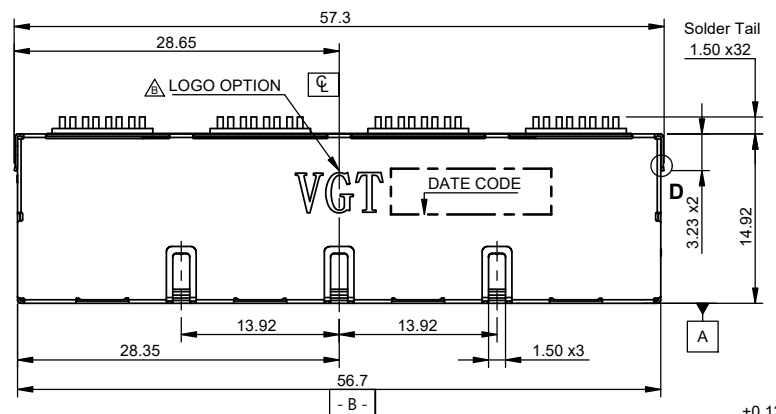
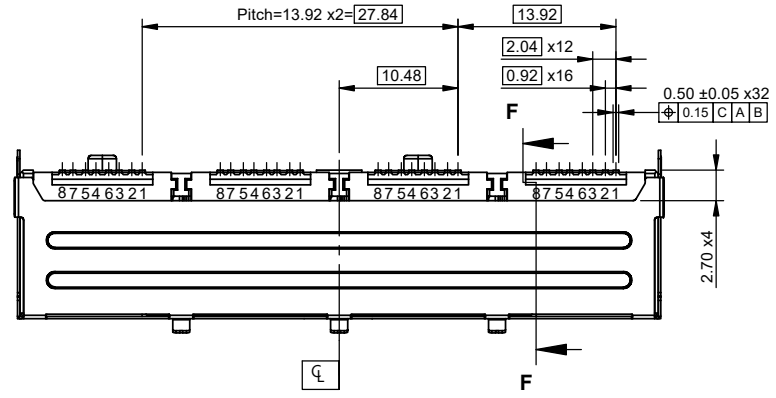
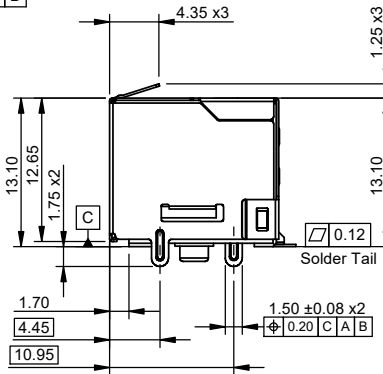
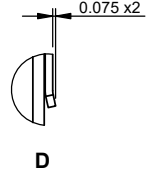
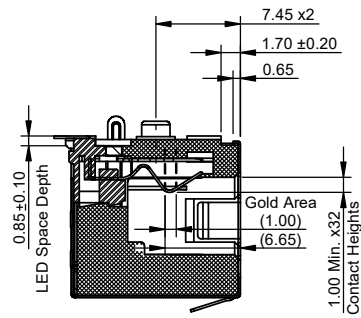


**PART NUMBER: VR4L-A37-XBX1-XXX**

- VGT LOGO:  
1=With LOGO  
2=W/O LOGO
- Gold Plating:  
1=Gold Flash (1u" Min.)  
2=3u"  
3=6u"  
4=10u"  
5=15u"  
6=30u"
- Housing Color:  
B=Black  
Y=Yellow
- Middle-Shield Type:  
A=With Middle-Shield  
B=W/O Middle-Shield
- Lens Type:  
A=W/O Lens  
B=With Lens  
C=Left Lens  
D=Right Lens



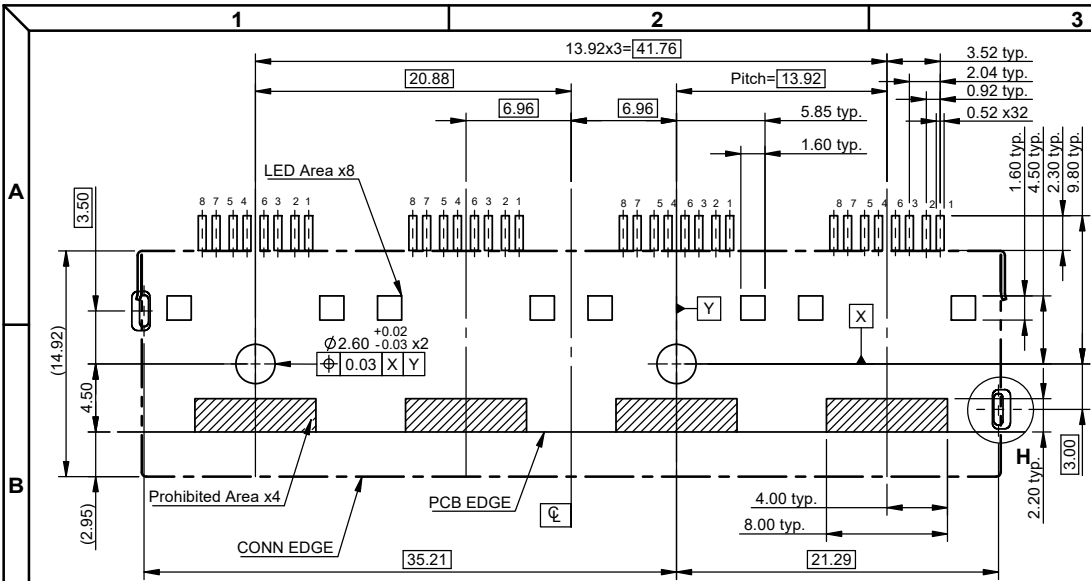
- 1.ELECTRICAL CHARACTERISTICS:
  - 1-1 CURRENT RATING : 1.5 A
  - 1-2 VOLTAGE RATING : 125V AC RMS.
  - 1-3 DIELECTRIC WITH STANDING : 1000V AC -CONTACT-TO-CONTACT  
1500V AC - CONTACT-TO-SHIELD
  - 1-4 INSULATION RESISTANCE :500MΩ MIN. AT DC 100V.
  - 1-5 CONTACT RESISTANCE :20mΩ MAX.
- 2.MECHANICAL CHARACTERISTICS:
  - 2-1 INSERTION FORCE : 20 N MAX.
  - 2-2 WITHDRAWAL FORCE : 20 N MAX.
  - 2-3 EFFECTIVENESS OF COUPLING DEVICES : 50 N FOR 60 S ± 5 S
  - 2-4 DURABILITY : 750 CYCLES
- 3.ENVIRONMENTAL :
  - 3-1 OPERATING TEMPERATURE:-40°C TO +85°C.
- 4.LED SIZE SPECIFICITIONS=1.60 x 1.60 x 0.55mm±0/10 (L X W X H)



CHECKED UNA	UNLESS OTHERWISE SPECIFIED TOLERANCE	NAME RJ45 1X4,Cat6A,H=13.10mm,SMT+DIP Type,Rec. (Withstand Voltage Type)
APPROVED KL	Dimension Range Tolerance	SCALE UNIT NA mm
REV. A	X.X ±0.35 X.XX ±0.25 X.XXX ±0.15 ANGLE ±5°	SHEET 1/2

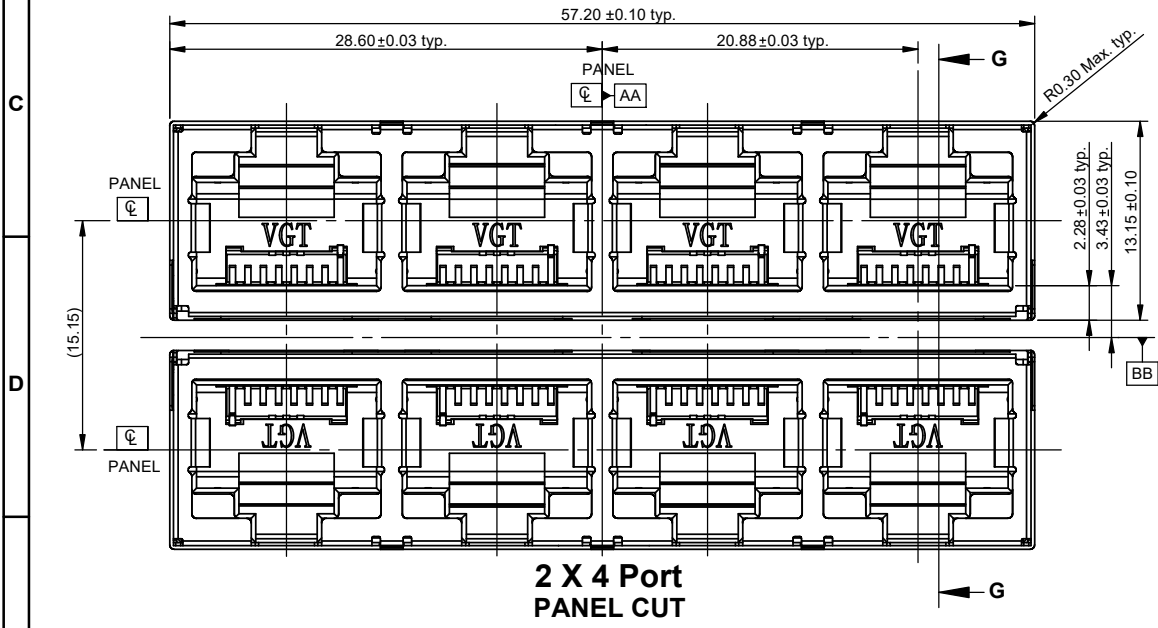
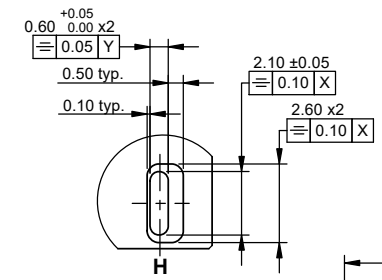
PART NO. & DOC NO.		  維將科技股份有限公司
VR4L-A37-XBX1-XXX		

△	NEW DESIGN	UNA	030426
MARK	REVISION RECORD	DRAWN	MM'DD'YY'

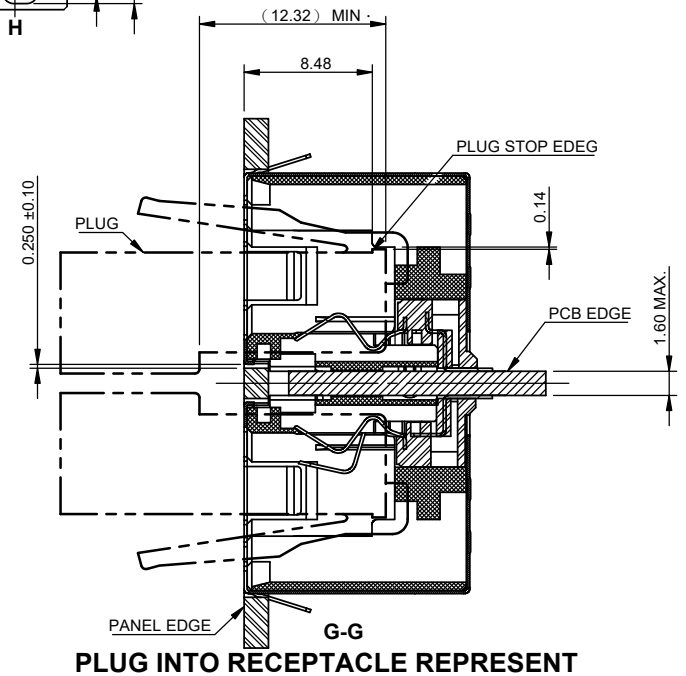


**PCB Foot Printer Dimension**  
**Lead Plate Thickness: 0.12mm Min.**  
**TOP-VIEW Tolerance: ±0.01mm**

PIN ASSIGNMENT					
Pin Number	Description	Signal Name(10base-T)	Signal Name(100base-T)	Signal Name(1000base-T)	Color
1	Transmit Data + or BiDirectional	TX+	TX+	BI_DA+	White Green
2	Transmit Data - or BiDirectional	TX-	TX-	BI_DA-	Green
3	Receive Data + or BiDirectional	RX+	RX+	BI_DB+	White Orange
4	Not Conneted or BiDirectional	n/c	n/c	BI_DC+	Blue
5	Not Conneted or BiDirectional	n/c	n/c	BI_DC-	White Blue
6	Receive Data - or BiDirectional	RX-	RX-	BI_DB-	Orange
7	Not Conneted or BiDirectional	n/c	n/c	BI_DD+	White Brown
8	Not Conneted or BiDirectional	n/c	n/c	BI_DD-	Brown



**2 X 4 Port**  
**PANEL CUT**



**PLUG INTO RECEPACLE REPRESENT**

CHECKED UNA	APPROVED KL	REV. A	UNLESS OTHERWISE SPECIFIED TOLERANCE	NAME	RJ45 1X4, Cat6A, H=13.10mm, SMT+DIP Type, Rec. (Withstand Voltage Type)		PART NO. & DOC NO.  VR4L-A37-XBX1-XXX	  維將科技股份有限公司
				SCALE	UNIT	Material/Plated/Notes		
			Dimension Range Tolerance	NA	mm	① SHIELD: STAINLESS STEEL/NICKEL PLATING ② CONTACTS: COPPER ALLOY/ NICKEL UNDERPLATED OVER ALL LEAD FREE TIN ALLOY AT TERMINATION. GOLD AT CONTACT AREA ③ LENS: HIGH TEMPERATURE PLASTIC. UL94 V-0 ④ HOUSING&MIDDLE HOUSING: HIGH TEMPERATURE PLASTIC UL94 V-0 ⑤ Middle-Shield: SPCC		
MARK	NEW DESIGN	UNA	030426	SIZE	SHEET	A4	2/2	
	REVISION RECORD	DRAWN	MM'DD'YY'	ANGLE				